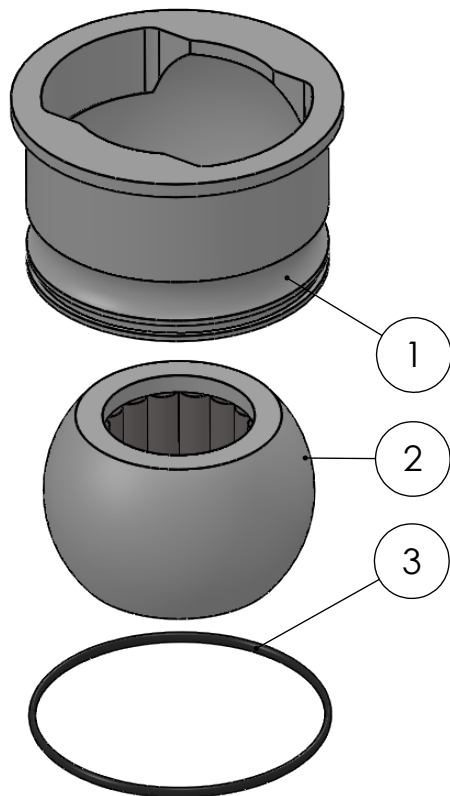
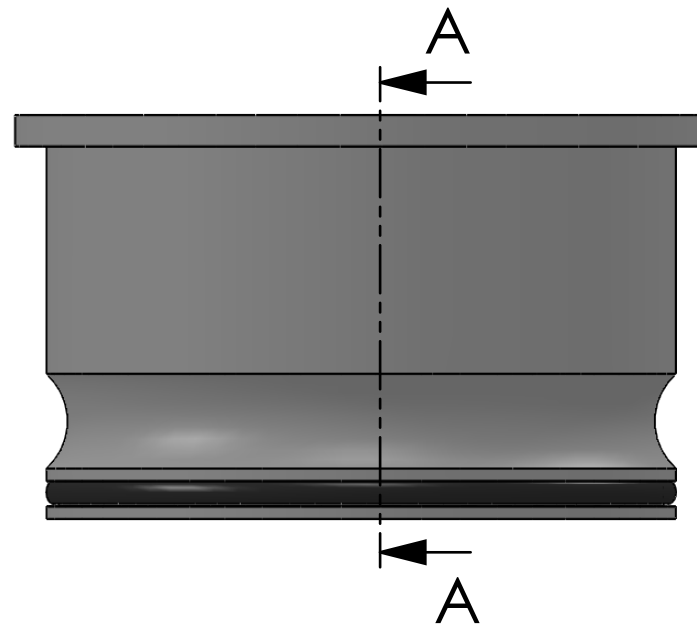


SECTION A-A
SCALE 1 : 1.2



ITEM NO.	PART NUMBER	PART NAME	QTY.
1	M48-105	House \varnothing 100mm for \varnothing 90mm Ball	1
2	M13-160-47	Ball with rollers for \varnothing 47mm	1
3	O-ring	\varnothing 90 x 2,5mm	1

DWG NR / NAME: 6BF100047 / S-A Top Roller bearing				BATCH NR:		<i>Jefa Rudder</i> S Y S T E M S
PROJECT: Shaft \varnothing 47mm				REKV.NR / ORDRE NR:		
DATE: 12.09.2016	NAME: JR	SCALE / PAPER: 1:2 / A4	MATERIAL: PETP	LOCATION:	ORDRE DATO:	JEFA MARINE A/S NIMBUSVEJ 2 2670 GREVE. DENMARK Tlf: +45 4615 5210 & Fax: +45 46155208 Email: info@jefa.com www.jefa.com
MODIFY DATE: : /			WEIGHT: g	REV:	LEV.DATO:	