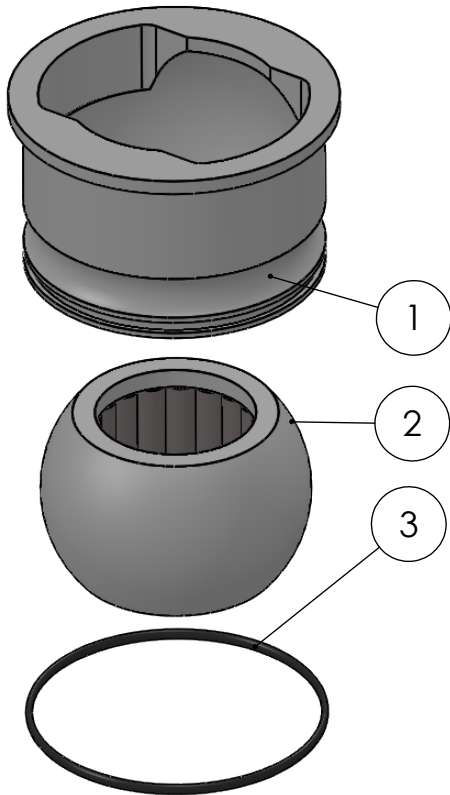
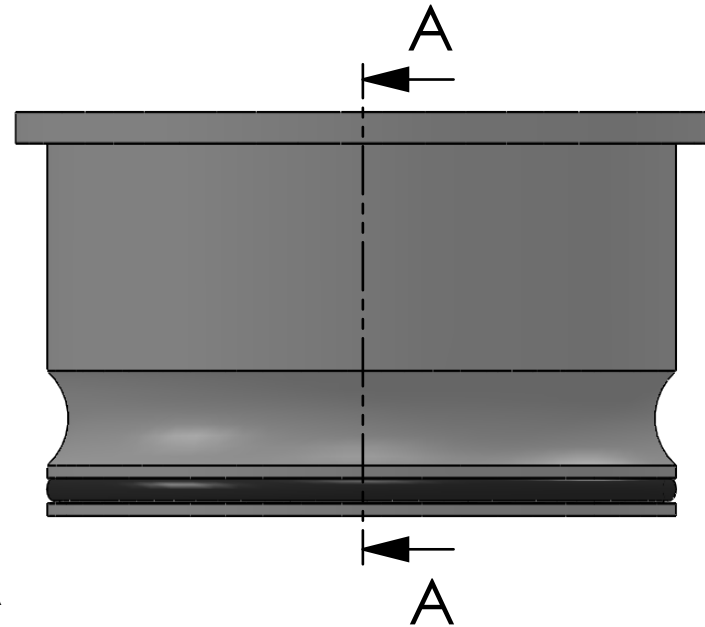


SECTION A-A  
SCALE 1 : 1.2



| ITEM NO. | PART NUMBER | PART NAME                   | QTY. |
|----------|-------------|-----------------------------|------|
| 1        | M48-105     | House ø100mm for ø90mm Ball | 1    |
| 2        | M13-161-52  | Ball with rollers for Ø52mm | 1    |
| 3        | O-ring      | ø90 x 2,5mm                 | 1    |

|  |          |                         |                |                     |             |  |
|--|----------|-------------------------|----------------|---------------------|-------------|--|
| DWG NR / NAME: <b>6BF100052 / S-A Top Roller bearing</b> |          |                         |                | BATCH NR:           |             | <i>Jefa Rudder</i><br>S Y S T E M S  |
| PROJECT: Shaft Ø52mm                                     |          |                         |                | REKV.NR / ORDRE NR: |             |  |
| DATE: 12.09.2016   | NAME: JR | SCALE / PAPER: 1:2 / A4 | MATERIAL: PETP | LOCATION:           | ORDRE DATO: | JEFA MARINE A/S<br>NIMBUSVEJ 2<br>2670 GREVE. DENMARK<br>Tlf: +45 4615 5210 & Fax: +45 46155208<br>Email: info@jefa.com www.jefa.com |
| MODIFY DATE: / /   |          |                         | WEIGHT: g      | REV:                | LEV.DATO:   |  |