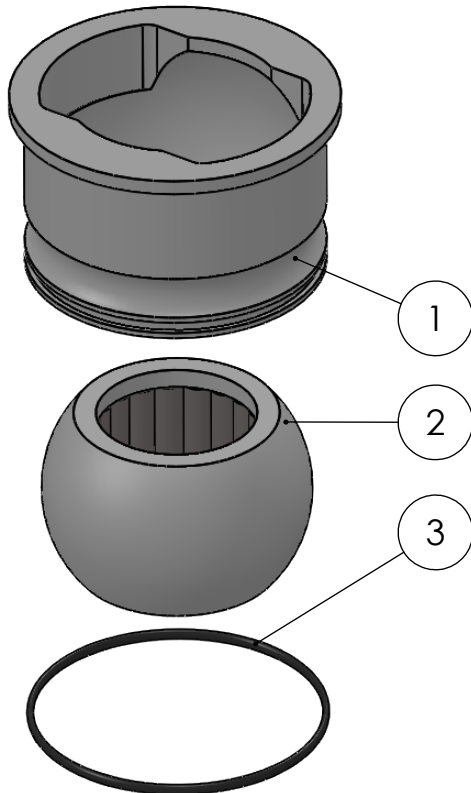
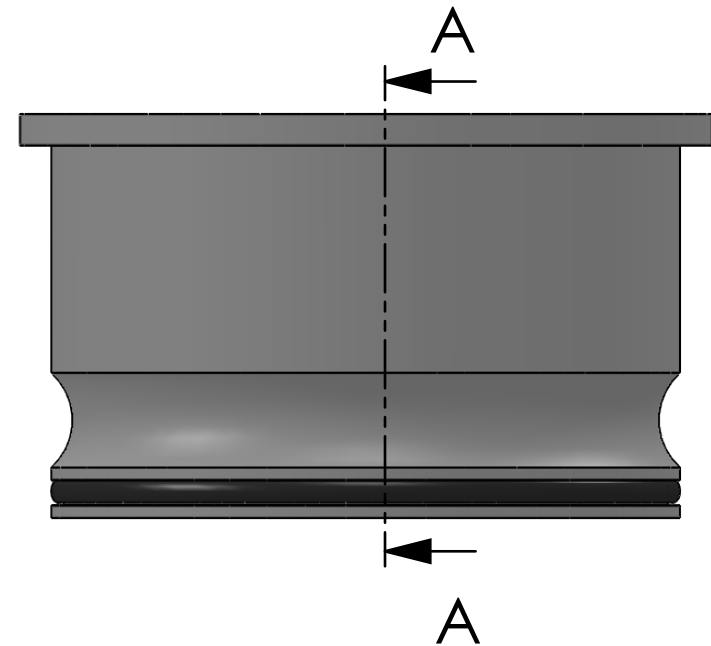


SECTION A-A
SCALE 1 : 1.2



| ITEM NO. | PART NUMBER | PART NAME | QTY. |
|----------|-------------|---|------|
| 1 | M48-105 | House $\varnothing 100\text{mm}$ for $\varnothing 90\text{mm}$ Ball | 1 |
| 2 | M13-161-53 | Ball with rollers for $\varnothing 53\text{mm}$ | 1 |
| 3 | O-ring | $\varnothing 90 \times 2,5\text{mm}$ | 1 |

DWG NR / NAME:

6BF100053 / S-A Top Roller bearing

BATCH NR:

PROJECT:

Shaft $\varnothing 53\text{mm}$

REKV.NR / ORDRE NR:

DATE:

12.09.2016

NAME:

JR

SCALE / PAPER:

1:2 / A4

MATERIAL: PETP

WEIGHT: g

LOCATION:

REV:

ORDRE DATO:

LEV.DATO:

Jefa Rudder
SYSTEMS

JEFA MARINE A/S
NIMBUSVEJ 2
2670 GREVE. DENMARK

Tlf: +45 4615 5210 & Fax: +45 46155208
Email: info@jefa.com www.jefa.com

: /