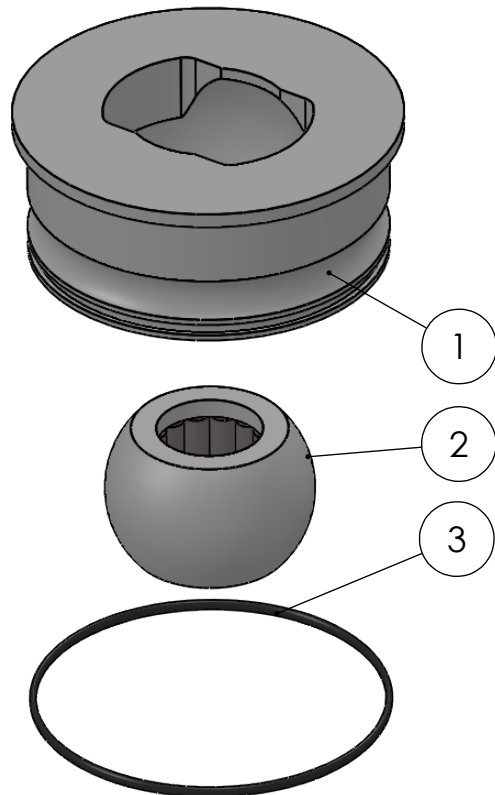


SECTION A-A
SCALE 1 : 1.2



ITEM NO.	PART NUMBER	PART NAME	QTY.
1	M48-142	House $\phi 120\text{mm}$ for $\phi 70\text{mm}$ Ball	1
2	M13-107-33	Ball with rollers for $\phi 33\text{mm}$	1
3	O-ring	$\phi 110 \times 2.5$	1

DWG NR / NAME:				6BF120033 / S-A Top Roller bearing		BATCH NR:		<i>Jefa Rudder</i> S Y S T E M S	
PROJECT:				Shaft $\phi 33\text{mm}$		REKV.NR / ORDRE NR:			
DATE:	NAME:	SCALE / PAPER:	MATERIAL:	PETP	LOCATION:	ORDRE DATO:	JEFA MARINE A/S		
12.09.2016	JR	1:2,5 / A4	WEIGHT:	g	REV:	LEV.DATO:	NIMBUSVEJ 2		
MODIFY DATE:				: /				2670 GREVE. DENMARK	
								Tlf: +45 4615 5210 & Fax: +45 46155208	
								Email: info@jefa.com www.jefa.com	