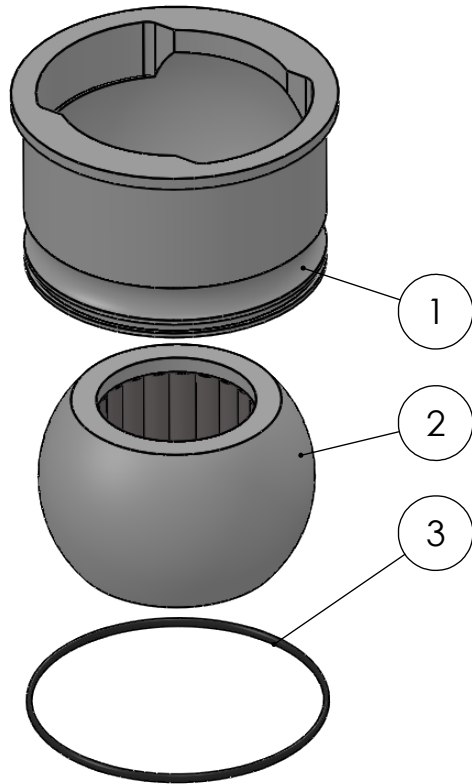
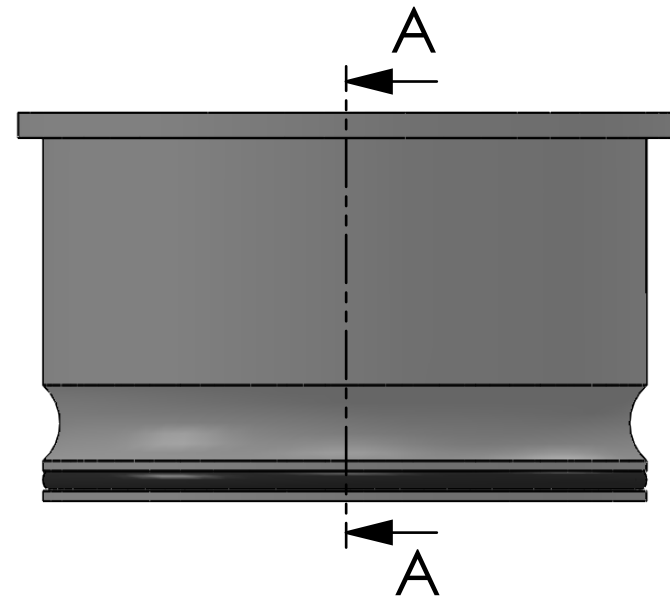


SECTION A-A  
SCALE 1 : 1.5



ITEM NO.	PART NUMBER	PART NAME	QTY.
1	M48-146	House ø120mm for ø110mm Ball	1
2	M13-205-62	Ball with rollers for Ø62mm	1
3	O-ring	ø110 x 2.5	1

DWG NR / NAME: <b>6BF120062 / S-A Top Roller bearing</b>				BATCH NR:		<i>Jefa Rudder</i> SYSTEMS
PROJECT: Shaft Ø62mm				REKV.NR / ORDRE NR:		
DATE: 14.09.2016	NAME: JR	SCALE / PAPER: 1:3 / A4	MATERIAL: PETP	LOCATION:	ORDRE DATO:	JEFA MARINE A/S NIMBUSVEJ 2 2670 GREVE. DENMARK Tlf: +45 4615 5210 & Fax: +45 46155208 Email: info@jefa.com www.jefa.com
MODIFY DATE: / /			WEIGHT: g	REV:	LEV.DATO:	