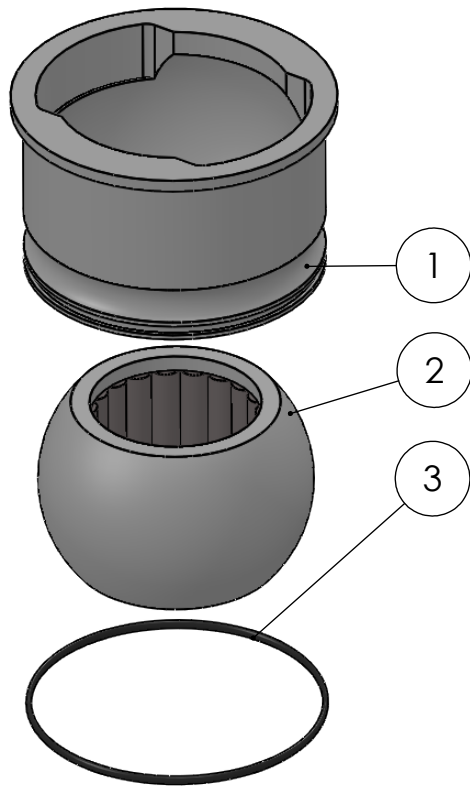


SECTION A-A
SCALE 1 : 1.5



| ITEM NO. | PART NUMBER | PART NAME | QTY. |
|----------|-------------|--|------|
| 1 | M48-146 | House $\varnothing 120\text{mm}$ for $\varnothing 110\text{mm}$ Ball | 1 |
| 2 | M13-207-64 | Ball with Rollers for $\varnothing 64\text{mm}$ | 1 |
| 3 | O-ring | $\varnothing 110 \times 2.5$ | 1 |

| | | | | | | |
|---|-------------|----------------------------|-------------------|---------------------|-------------|--|
| DWG NR / NAME: 6BF120064 / S-A Top Roller bearing | | | | BATCH NR: | | <i>Jefa Rudder</i> SYSTEMS |
| PROJECT: Shaft $\varnothing 64\text{mm}$ | | | | REKV.NR / ORDRE NR: | | |
| DATE: 14.09.2016 | NAME: JR | SCALE / PAPER: 1:3 / A4 | MATERIAL: PETP | LOCATION: | ORDRE DATO: | JEFA MARINE A/S NIMBUSVEJ 2 2670 GREVE, DENMARK Tlf: +45 4615 5210 & Fax: +45 46155208 Email: info@jefa.com www.jefa.com |
| MODIFY DATE: : / | | | WEIGHT: g | REV: | LEV.DATO: | |