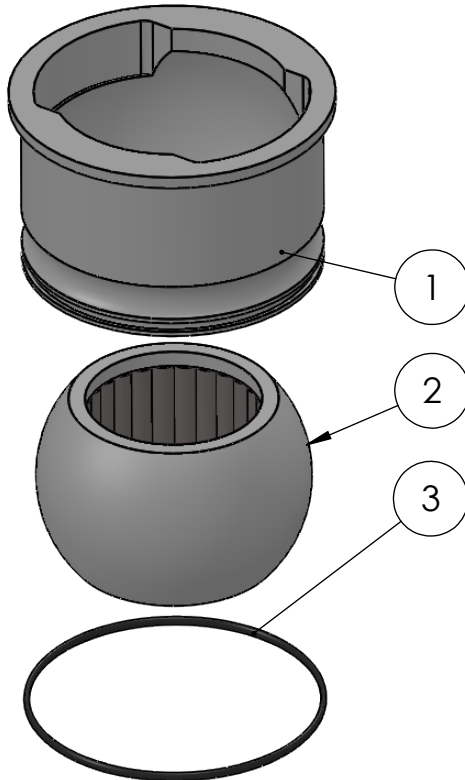


SECTION A-A  
SCALE 1 : 1.5



ITEM NO.	PART NUMBER	PART NAME	QTY.
1	M48-146	House $\phi 120\text{mm}$ for $\phi 110\text{mm}$ Ball	1
2	M13-209-69	Bearing ball with rollers for $\phi 69\text{mm}$	1
3	O-ring	$\phi 110 \times 2.5$	1

DWG NR / NAME:

**6BF120069 / S-A Top Roller bearing**

BATCH NR:

PROJECT:

Shaft  $\phi 69\text{mm}$

REKV.NR / ORDRE NR:

DATE:

14.09.2016

NAME:

JR

SCALE / PAPER:

1:3 / A4

MATERIAL: PETP

WEIGHT: g

LOCATION:

REV:

ORDRE DATO:

LEV.DATO:

MODIFY DATE:

: /

*Jefa Rudder*  
SYSTEMS

JEFA MARINE A/S  
NIMBUSVEJ 2  
2670 GREVE, DENMARK  
Tlf: +45 4615 5210 & Fax: +45 46155208  
Email: info@jefa.com www.jefa.com