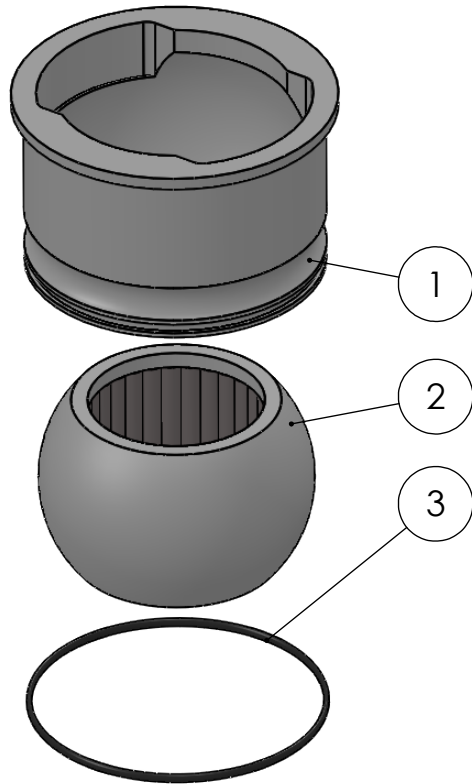
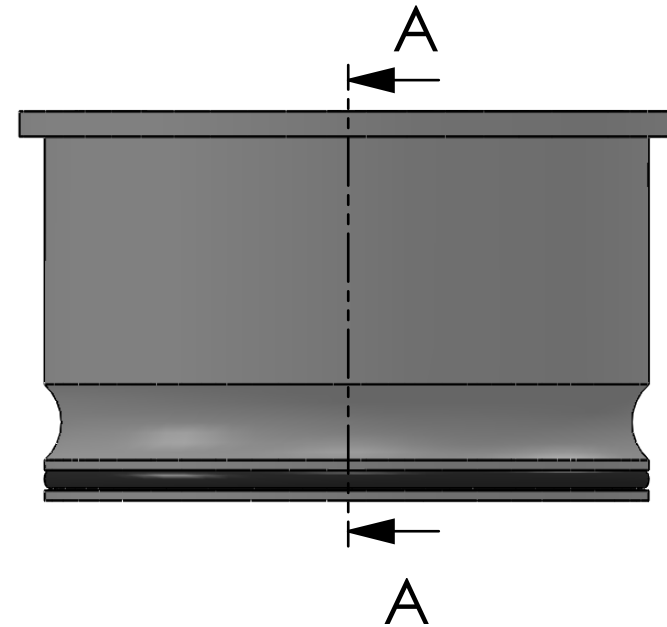


SECTION A-A
SCALE 1 : 1.5



ITEM NO.	PART NUMBER	PART NAME	QTY.
1	M48-146	House ø120mm for ø110mm Ball	1
2	M13-210-71	Bearing ball with rollers for Ø71mm	1
3	O-ring	ø110 x 2.5	1

DWG NR / NAME:

6BF120071 / S-A Top Roller bearing

BATCH NR:

PROJECT:

Shaft Ø71mm

REKV.NR / ORDRE NR:

DATE:

14.09.2016

NAME:

JR

SCALE / PAPER:

1:3 / A4

MATERIAL:

PETP

LOCATION:

WEIGHT:

g

ORDRE DATO:

MODIFY DATE:

: /

REV:

LEV.DATO:

Jefa Rudder
S Y S T E M S

JEFA MARINE A/S
NIMBUSVEJ 2
2670 GREVE, DENMARK
Tlf: +45 4615 5210 & Fax: +45 46155208
Email: info@jefa.com www.jefa.com