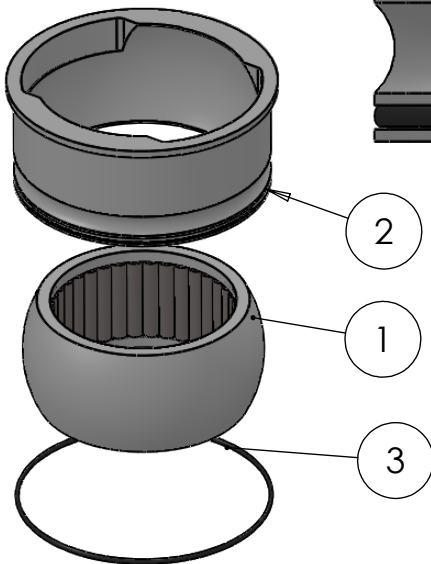
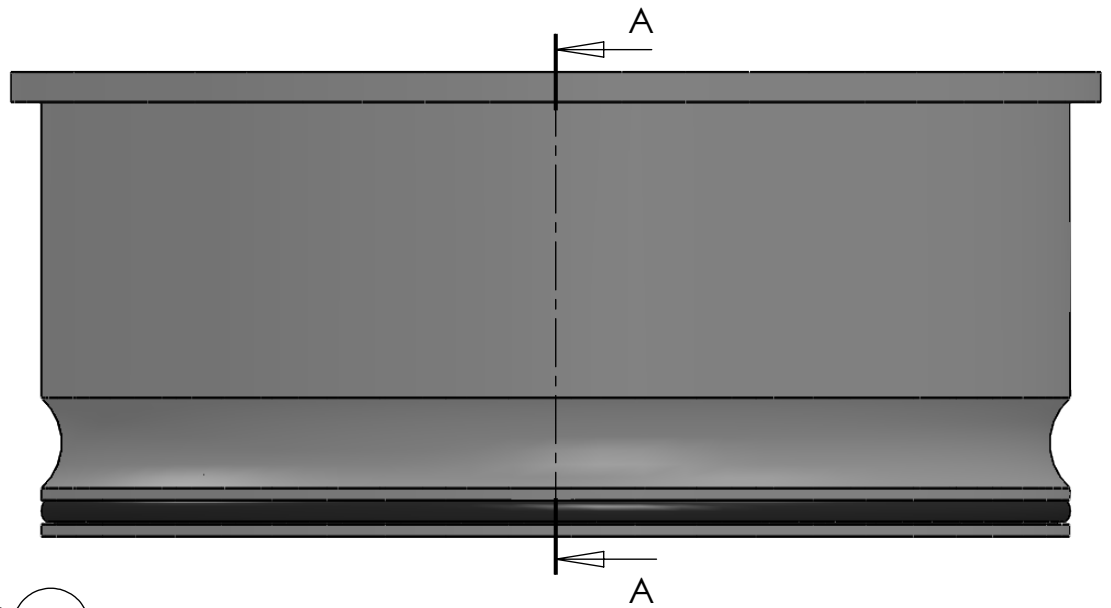


SECTION A-A
SCALE 1 : 1.25



ITEM NO.	PART NUMBER	PART NAME	QTY.
1	M13-467-120	Ball with Rollers	1
2	M48-168	House $\varnothing 170\text{mm}$ for $\varnothing 160\text{mm}$ Ball	1
3	O-ring	$\varnothing 160 \times 2,5$	1

DWG NR / NAME:

6BF170120 / S-A Top Roller bearing

PROJECT:
Shaft $\varnothing 120\text{mm}$

BATCH NR:

REKV.NR / ORDRE NR:

DATE:

NAME:

TCH

SCALE / PAPER:

1:2 / A4

MATERIAL:

WEIGHT:

g

LOCATION:

REV:

ORDRE DATO:

LEV.DATO:

MODIFY DATE:

: /

Jefa Rudder
SYSTEMS

JEFA MARINE A/S
NIMBUSVEJ 2
2670 GREVE, DENMARK

Tlf: +45 4615 5210 & Fax: +45 46155208
Email: info@jefa.com www.jefa.com