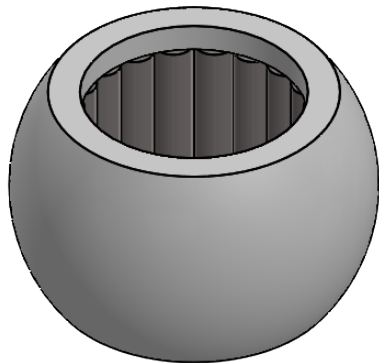



SECTION A-A
SCALE 1 : 1



DWG NR / NAME:				M13-173-59/ Bearing Ball with Rollers		BATCH NR:	
PROJECT:				Shaft 59mm, OD 98mm.		REKV.NR / ORDRE NR:	
DATE:	NAME:	SCALE / PAPER:	MATERIAL:	LOCATION:	ORDRE DATO:	 JEFA MARINE A/S NIMBUSVEJ 2 2670 GREVE. DENMARK Tlf: +45 4615 5210 & Fax: +45 46155208 Email: info@jefa.com www.jefa.com	
11-05-2020	TML	1:1.15 / A4	PETP				
MODIFY DATE:			WEIGHT:	g	REV:		
				: /			