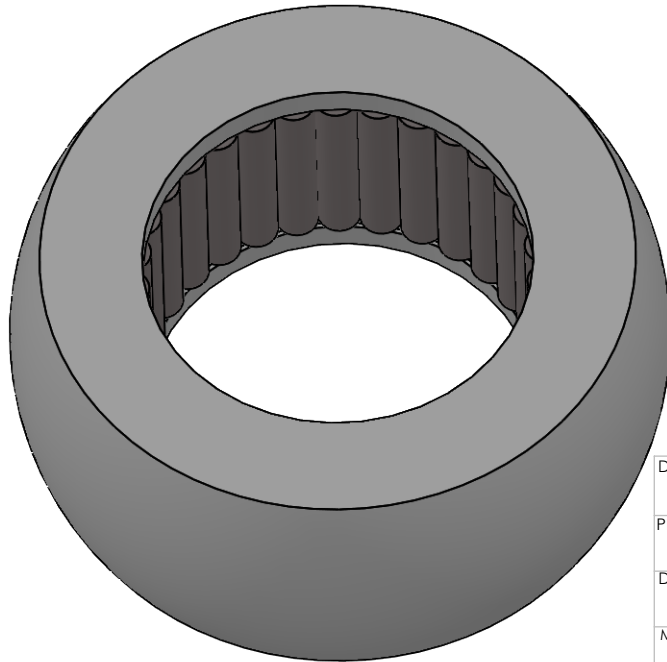
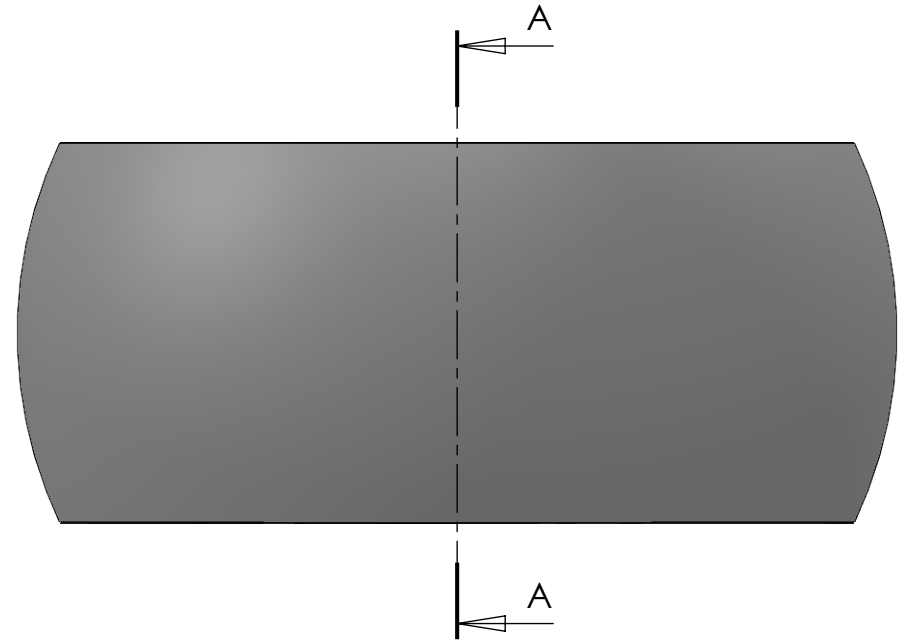



SECTION A-A
SCALE 1 : 1.5



DWG NR / NAME: M13-492-100 / Bearing Ball with Rollers				BATCH NR:		 JEFA MARINE A/S NIMBUSVEJ 2 2670 GREVE, DENMARK Tlf: +45 4615 5210 & Fax: +45 46155208 Email: info@jefa.com www.jefa.com
PROJECT: Shaft 100mm, OD 175mm.				REKV.NR / ORDRE NR:		
DATE: 20-01-2020	NAME: JD	SCALE / PAPER: 1:2 / A4	MATERIAL: WEIGHT: g	LOCATION:	ORDRE DATO:	
MODIFY DATE: : /				REV:	LEV.DATO:	