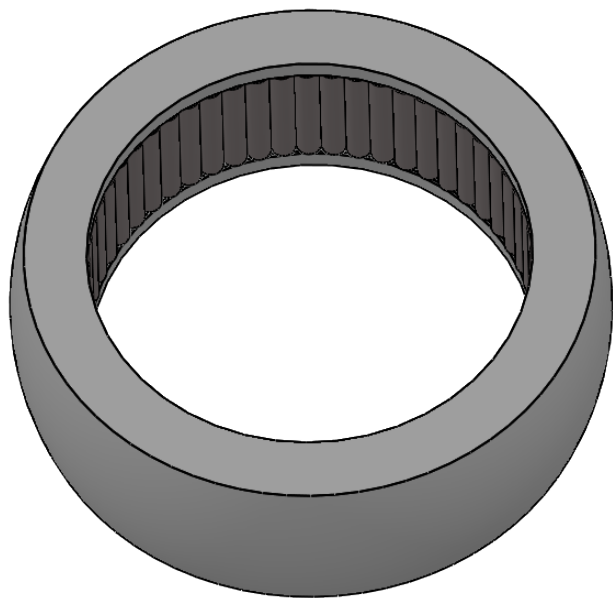



SECTION A-A
SCALE 1 : 1.9



| | | | | | | |
|--|----------|-------------------------|----------------|---------------------|-------------|--|
| DWG NR / NAME: M13-645-176 / Bearing Ball with Rollers | | | | BATCH NR: | |  Jefa Rudder SYSTEMS JEFA MARINE A/S NIMBUSVEJ 2 2670 GREVE, DENMARK Tlf: +45 4615 5210 & Fax: +45 46155208 Email: info@jefa.com www.jefa.com |
| PROJECT: Shaft 176mm, OD 240mm. | | | | REKV.NR / ORDRE NR: | | |
| DATE: 28-02-2017 | NAME: KJ | SCALE / PAPER: 1:3 / A4 | MATERIAL: PETP | LOCATION: | ORDRE DATO: | |
| MODIFY DATE: : / | | | WEIGHT: g | REV: | LEV.DATO: | |