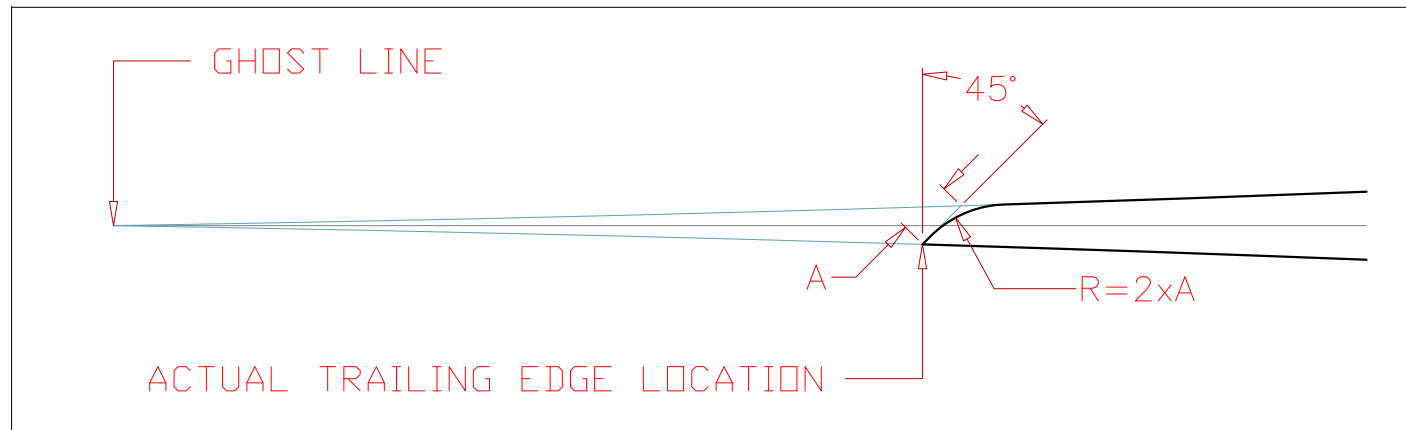
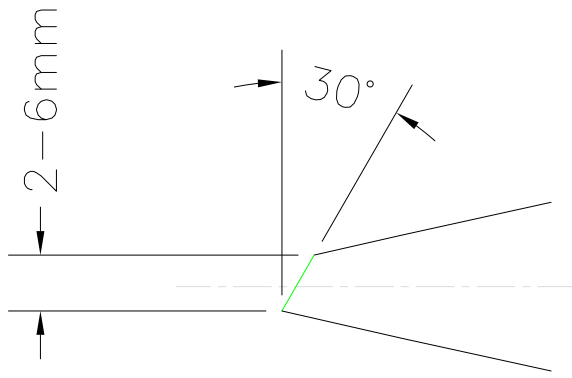


when it can be done with more precision, use this method.



Modify date	Project: 30° chamfer on trailing edge	
Modify date	—	
Modify date	Scale 1:1	Date 2011-04-05
Modify date	Material —	Drawing no. —
Modify date	Filename — (dwg)	
Modify date	Drawn by J.F.	

Jefa Rudder
 S Y S T E M S
 JEFA MARINE A/S
 NIMBUSVEJ 2
 2670 GREVE, DENMARK
 Tlf.+45-4615 5210 & Fax +45-4615 5208
 E-mail info@jefa.com & WWW.jefa.com