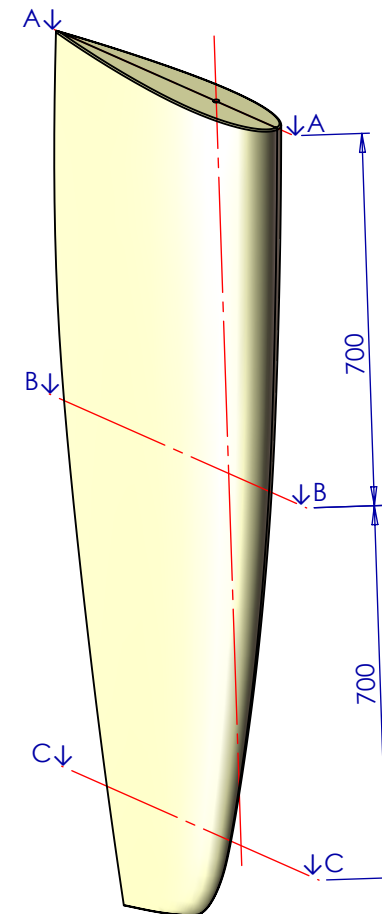
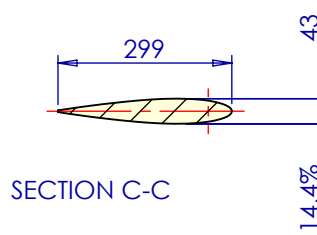
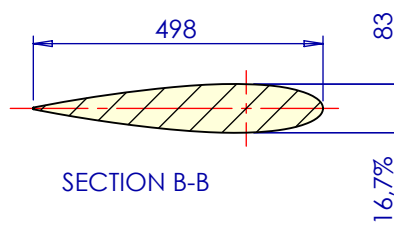
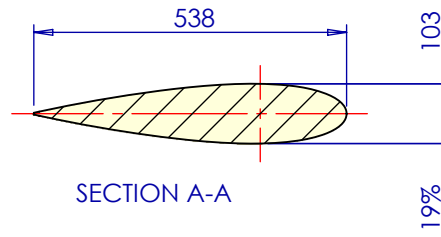
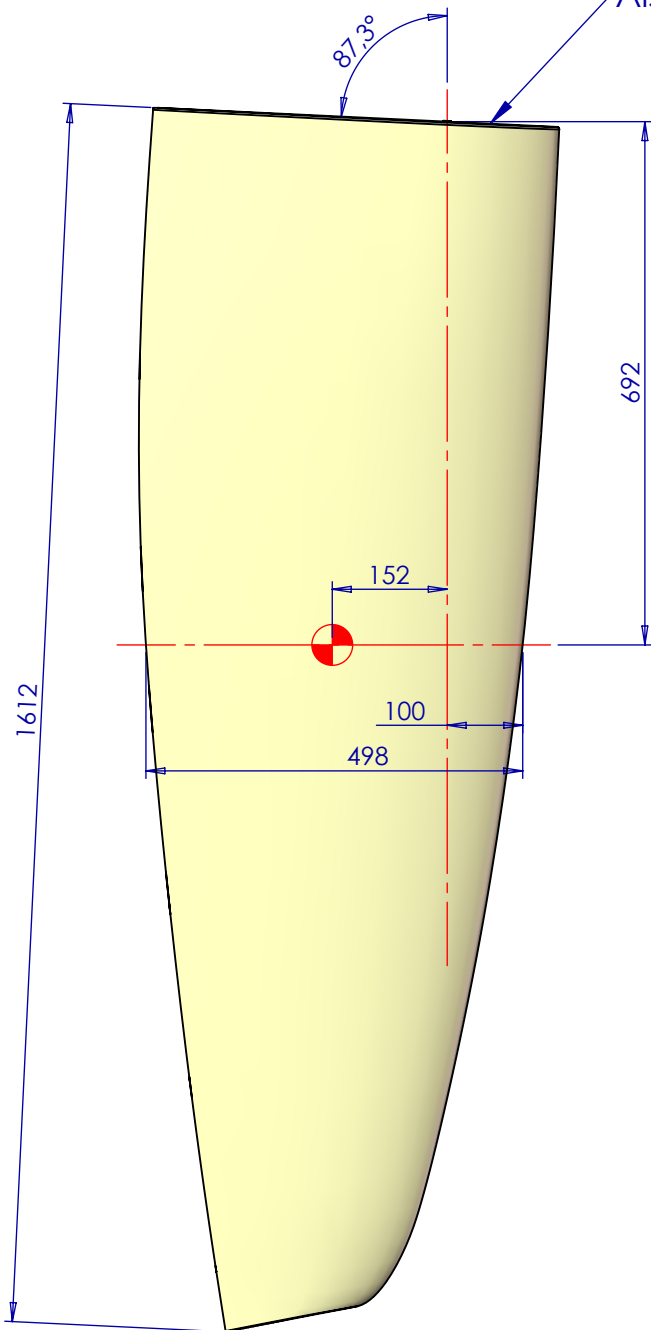


Also available in 90° version



For yachts from 30 to 38 ft
 item no: RUD34
 Area 0,7 m²
 Volume 39,3 dm³
 Balance 16,5%
 Blade weight: 13kg
 Max rudderstock $\varnothing 88$

The blade will be made of 1 layer 300g chopped e-glass and 3 layers of 600g chopped e-glass.

The stock will be laminated to one side of the blade with 2 layers of 6000g e-glass.

The blade will be filled with a PU foam core.

The rudder will be made after ISO12215-8

Drawing/Part no: RUD34		Product Name: Rudderblade RUD34			Sheet: 1 of 1
 JEFA MARINE A/S NIMBUSVEJ 2 2670 GREVE. DENMARK		Possible rudder stock material: Alu6082, Aisi329 or Aisi630			Proj. method:
		Part Weight: 13 kg	Surface Area: 1,5 m²	Scale: -	Format: A4
Creation Date: 04-09-2017		Dimensions are given in mm. Dimensions without tolerances according to DS/ISO 2768-m.			
Author: TCH		This drawing belongs to Jefa Marine A/S and may not be used or shown without permission.			
Tlf: +45 4615 5210 Email: sales@jefa.com www.jefa.com					