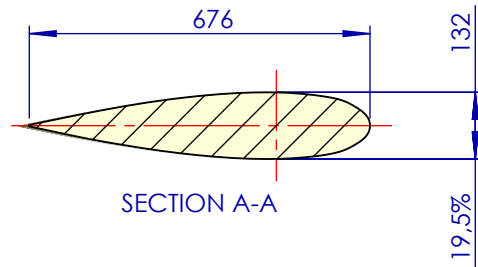
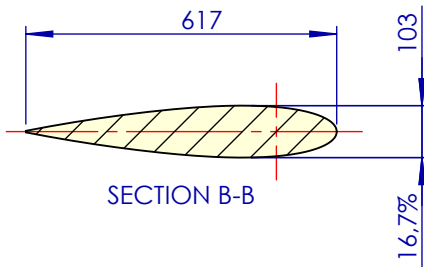


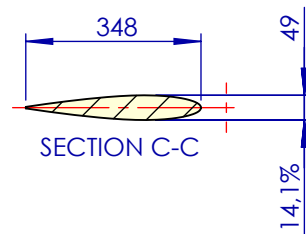
Also available in 90° version



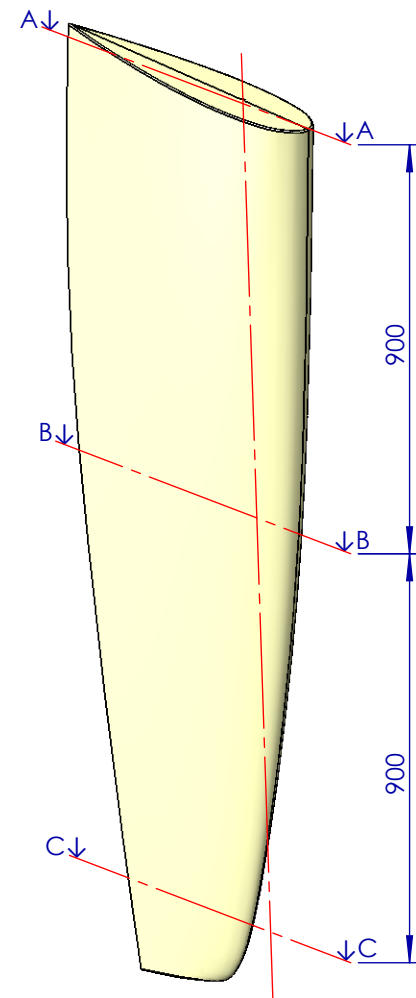
SECTION A-A



SECTION B-B



SECTION C-C




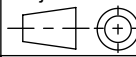
For yachts from 42 to 50 ft
 item no: RUD46
 Area 1,11 m²
 Volume 77 dm³
 Balance 16,5%
 Blade weight: 22kg
 Max rudderstock \varnothing 115

The blade will be made of 1 layer 300g chopped e-glass and 3 layers of 600g chopped e-glass.

The stock will be laminated to one side of the blade with 2 layers of 6000g e-glass.

The blade will be filled with a PU form core.

The rudder will be made after ISO12215-8

Drawing/Part no: RUD46		Product Name: Rudderblade RUD46			Sheet: 1 of 1
 JEFA MARINE A/S NIMBUSVEJ 2 2670 GREVE. DENMARK		Possible rudder stock material: Alu6082, Aisi329 or Aisi630			Proj. method: 
		Part Weight: 22 kg	Surface Area: 2,4 m²	Scale: -	Format: A4
Creation Date: 17-10-2017		Dimensions are given in mm. Dimensions without tolerances according to DS/ISO 2768-m.			
Tlf: +45 4615 5210 Email: sales@jefa.com www.jefa.com		Author: TCH	This drawing belongs to Jefa Marine A/S and may not be used or shown without permission.		