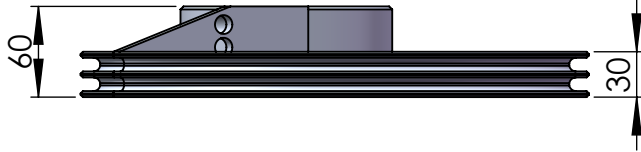


270° quadrant specification form

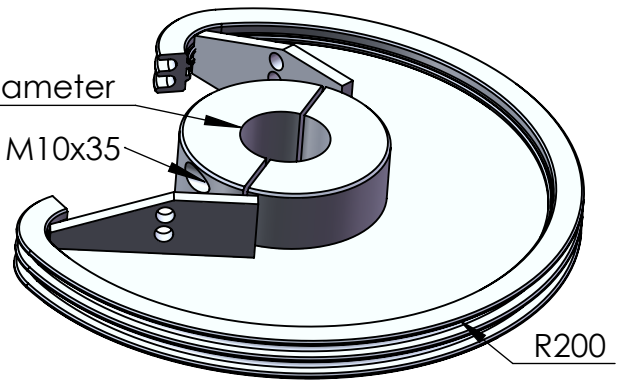
Version 1.0

Yacht type / reference



Bore diameter

4pcs M10x35



Bore diameter= _____ mm

QU2527



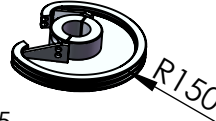
Minbore Ø25
Maxbore Ø100

QU2027



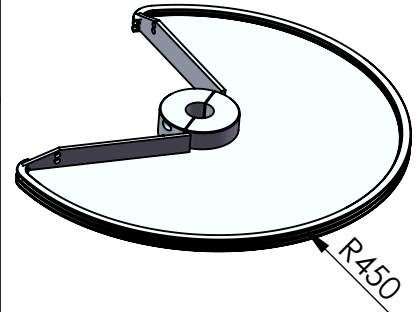
Minbore Ø25
Maxbore Ø100

QU1527



Minbore Ø25
Maxbore Ø75

QU4527



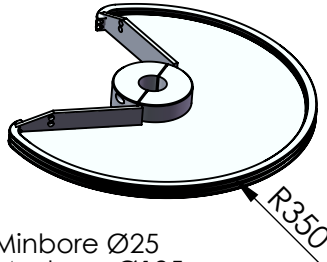
Minbore Ø25
Maxbore Ø150

QU3027



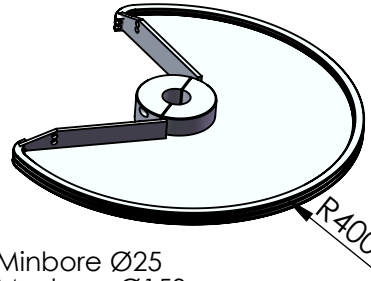
Minbore Ø25
Maxbore Ø125

QU3527



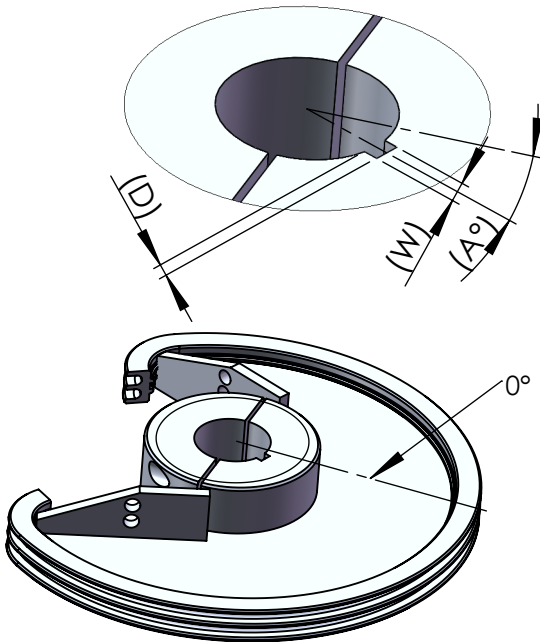
Minbore Ø25
Maxbore Ø125

QU4027



Minbore Ø25
Maxbore Ø150

Opportunities of Quadrant locking mechanism's



If a key is present, please specify dimensions below

Key width

(W) = _____ mm

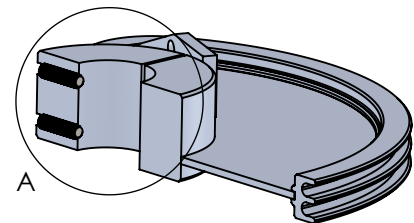
Key depth

(D) = _____ mm

Key angle

(A°) = _____ °

Keyway dimensions specified by: (A°) from 0° and clockwise around, (W) is key width in mm, (D) is keyway depth in mm)



2pcs M10 Locking bolts

DETAIL A
SCALE 2 : 5

If no key is present, please cross the box to include 2pcs off M10 locking bolts

Comments