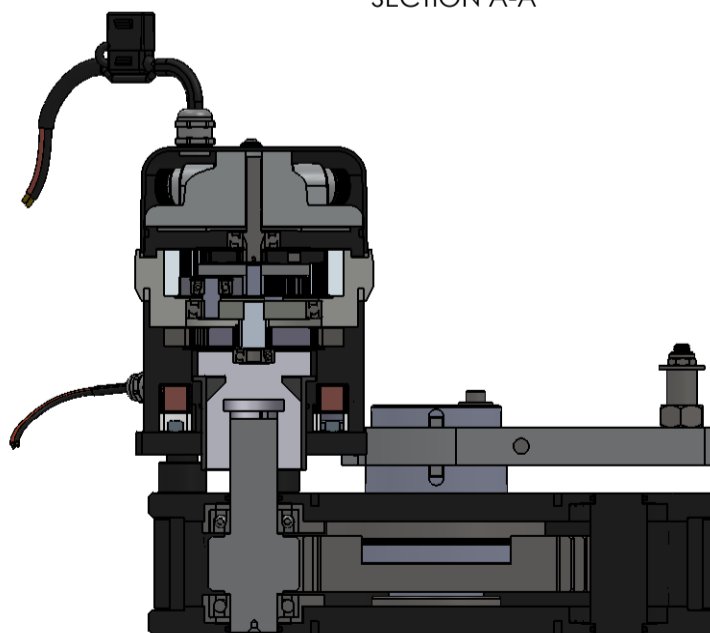



SECTION A-A



SECTION B-B

| | | | | | | |
|--|-------------|----------------------------|------------------------|---------------------|-------------|---|
| DWG NR / NAME: DU-DD2-12 / Autopilot drive | | | | BATCH NR: | |  Jefa Steering SYSTEMS JEFA STEERING ApS AGENAVEJ 43 2670 GREVE, DENMARK Tlf: +45 4615 5210 & Fax: +45 4369 5211 Email: info@jefa.com www.jefa.com |
| PROJECT: Direct drive unit | | | | REKV.NR / ORDRE NR: | | |
| DATE: 04-03-2009 | NAME: KJ | SCALE / PAPER: 1:4 / A3 | MATERIAL: WEIGHT: g | LOCATION: | ORDRE DATO: | |
| MODIFY DATE: : / | | | | REV: | LEV.DATO: | |