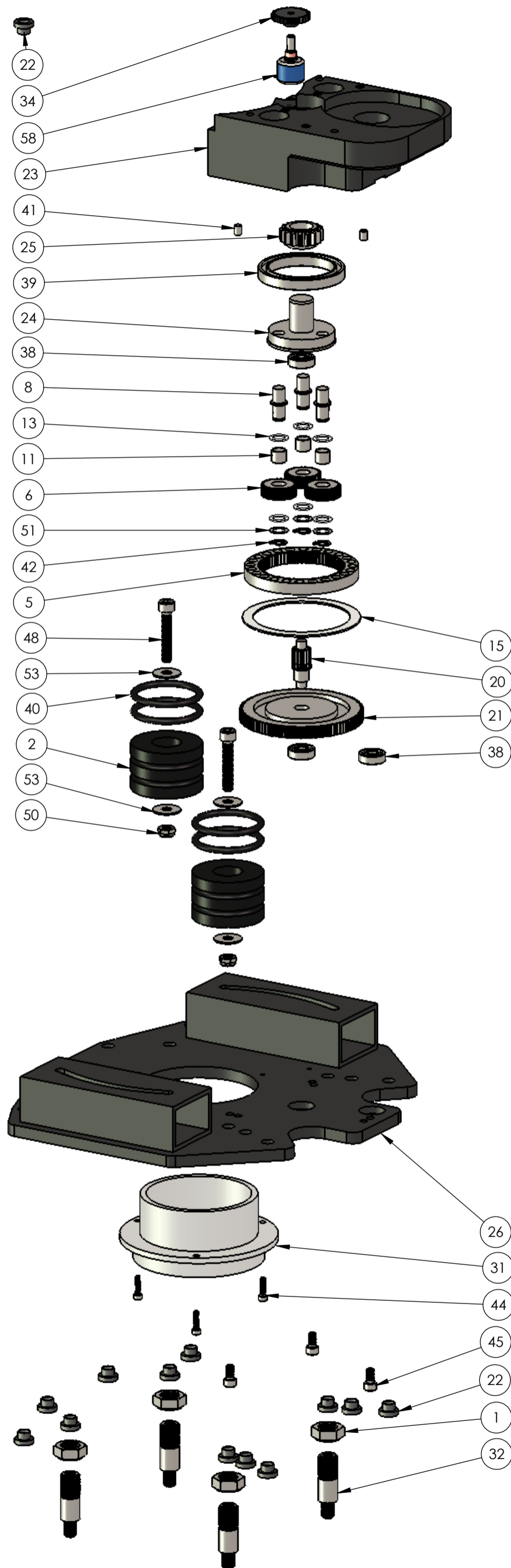


ITEM NO.	SW-File Name(File Name)	QTY.
1	Z3-082 nut stainless steel	4
2	Z4-651 Stopping delrin stop.dwg	2
3	Z8-1008-3 Coil spole PETP	2
4	Z8-1008-4 Coil spoling	2
5	Z8-1009 - Inner gear Z70 M1	1
6	Z8-1010 - Gear wheel Z28 M1	3
7	Z8-1015 Magnet N30 20x6mm forniket	2
8	Z8-1105 - 10mm shaft for step3	3
9	Z8-1106 - Clutch shaft	2
10	Z8-1107 - Clutch iron bush	2
11	Z8-1112 Teflon bearing ø10xø12x10mm	3
12	Z8-1114 - Spring for Clutch	2
13	Z8-1130 Washer ø10xø16x1 polycarbonat	6
14	Z8-1135 Lock for spule	2
15	Z8-4117 Lockring for plane gear	1
16	Z8-4130 Gear wheel M1 Z15 H15dg	1
17	Z8-4132 Golden motor	1
18	Z8-4137 Gear wheel M1 Z79 V15dg	1
19	Z8-4138 M1 Z19	1
20	Z8-4141 Shaft with Z14 M1	1
21	Z8-4143 M1 Z101	1
22	Z8-4190 Rubber washer	24
23	Z8-5601 House for clutch FD1	1
24	Z8-5605 Planet gear for FD1	1
25	Z8-5615 16T M2 gear wheel for FD1	1
26	Z8-5620 Bottom plate for FD1	1
27	Z8-5625 Bracket house for FD1	1
28	Z8-5630 Magnet cover for FD1	1
29	Z8-5635 Gearwheel cover FD1	1
30	Z8-5640 Motor cover for FD1	1
31	Z8-5645 Bearing ring for FD1	1
32	Z8-5650 Triple thread stud for FD1	4
33	Z8-5655 125T M1 gear wheel for FD1 POM	1
34	Z8-5660 30T Z1 gear wheel for FD1 POM	1
35	Z8-5662 Output gearwheel M2x85T FD1	1
36	Z8-5664 Output gearwheel hub FD1	1
37	ZBB-6004 ballbearing 2RS 20x42x12mm	1
38	ZBB-608 ballbearing 2RS 8x22x8mm	4
39	ZBB-61811 ballbearing um 55x72x9mm	1
40	ZP3-106 O-ring 50x5mm EPDM	4
41	Z-DIN0007-06x08 Cylindrisk A2 stift 06x08mm	6
42	Z-DIN0471-A10 Lockring outside A10 DIN471	3
43	Z-DIN0912-M04x12 Hexagon socket head screw CH A2 M4x12	3
44	Z-DIN0912-M04x16 Hexagon socket head screw CH A2 M4x16	9
45	Z-DIN0912-M06x12 Hexagon socket head screw CH A2 M6x12	3
46	Z-DIN0912-M06x20 Hexagon socket head screw CH A2 M6x20	4
47	Z-DIN0912-M08x20 Hexagon socket head screw CH A2 M8x20	4
48	Z-DIN0912-M08x45 Hexagon socket head screw CH A2 M8x45	2
49	Z-DIN0976-M10 Studbolt M10x010	2
50	Z-DIN0985-M08 Locknut A2 M08	2
51	Z-DIN0988-10x16x0.2	3
52	Z-DIN1481-04x24 Spring Pin Slotted A2 4x24mm	1
53	Z-DIN9021-M08 Washer for 8mm shaft	4
54	Z-EL109 Automotive fuse 10Amp RED	1
55	Z-EL115 House for automotive fuse	1
56	Z-EL140 Messingforskruning HKS 12x1,5	2
57	Z-EL141 Messingforskruning HKS 16x1,5	1
58	Z-EL146-10 Potentiometer 10kg ohm	1
59	Z-ISO7380-M04x10	3



ITEM NO.	SW-File Name(File Name)	QTY.
1	Z3-082 nut stainless steel	4
2	Z4-651 Stopring delrin stop.dwg	2
3	Z8-1008-3 Coil spole PETP	2
4	Z8-1008-4 Coil spoling	2
5	Z8-1009 - Inner gear Z70 M1	1
6	Z8-1010 - Gear wheel Z28 M1	3
7	Z8-1015 Magnet N30 20x6mm forniket	2
8	Z8-1105 - 10mm shaft for step3	3
9	Z8-1106 - Clutch shaft	2
10	Z8-1107 - Clutch iron bush	2
11	Z8-1112 Teflon bearing ø10xø12x10mm	3
12	Z8-1114 - Spring for Clutch	2
13	Z8-1130 Washer ø10xø16x1 polycarbonat	6
14	Z8-1135 Lock for spule	2
15	Z8-4117 Lockring for plane gear	1
16	Z8-4130 Gear wheel M1 Z15 H15dg	1
17	Z8-4132 Golden motor	1
18	Z8-4137 Gear wheel M1 Z79 V15dg	1
19	Z8-4138 M1 Z19	1
20	Z8-4141 Shaft with Z14 M1	1
21	Z8-4143 M1 Z101	1
22	Z8-4190 Rubber washer	24
23	Z8-5601 House for clutch FD1	1
24	Z8-5605 Planet gear for FD1	1
25	Z8-5615 16T M2 gear wheel for FD1	1
26	Z8-5620 Bottom plate for FD1	1
27	Z8-5625 Bracket house for FD1	1
28	Z8-5630 Magnet cover for FD1	1
29	Z8-5635 Gearwheel cover FD1	1
30	Z8-5640 Motor cover for FD1	1
31	Z8-5645 Bearing ring for FD1	1
32	Z8-5650 Triple thread stud for FD1	4
33	Z8-5655 125T M1 gear wheel for FD1 POM	1
34	Z8-5660 30T Z1 gear wheel for FD1 POM	1
35	Z8-5662 Output gearwheel M2x85T FD1	1
36	Z8-5664 Output gearwheel hub FD1	1
37	ZBB-6004 ballbearing 2RS 20x42x12mm	1
38	ZBB-608 ballbearing 2RS 8x22x8mm	4
39	ZBB-61811 ballbearing um 55x72x9mm	1
40	ZP3-106 O-ring 50x5mm EPDM	4
41	Z-DIN0007-06x08 Cylindrisk A2 stiff 06x08mm	6
42	Z-DIN0471-A10 Lockring outside A10 DIN471	3
43	Z-DIN0912-M04x12 Hexagon socket head screw CH A2 M4x12	3
44	Z-DIN0912-M04x16 Hexagon socket head screw CH A2 M4x16	9
45	Z-DIN0912-M06x12 Hexagon socket head screw CH A2 M6x12	3
46	Z-DIN0912-M06x20 Hexagon socket head screw CH A2 M6x20	4
47	Z-DIN0912-M08x20 Hexagon socket head screw CH A2 M8x20	4
48	Z-DIN0912-M08x45 Hexagon socket head screw CH A2 M8x45	2
49	Z-DIN0976-M10 Studbolt M10x010	2
50	Z-DIN0985-M08 Locknut A2 M08	2
51	Z-DIN0988-10x16x0.2	3
52	Z-DIN1481-04x24 Spring Pin Slotted A2 4x24mm	1
53	Z-DIN9021-M08 Washer for 8mm shaft	4
54	Z-EL109 Automotive fuse 10Amp RED	1
55	Z-EL115 House for automotive fuse	1
56	Z-EL140 Messingforskruning HKS 12x1.5	2
57	Z-EL141 Messingforskruning HKS 16x1,5	1
58	Z-EL146-10 Potentiometer 10kg ohm	1
59	Z-ISO7380-M04x10	3

