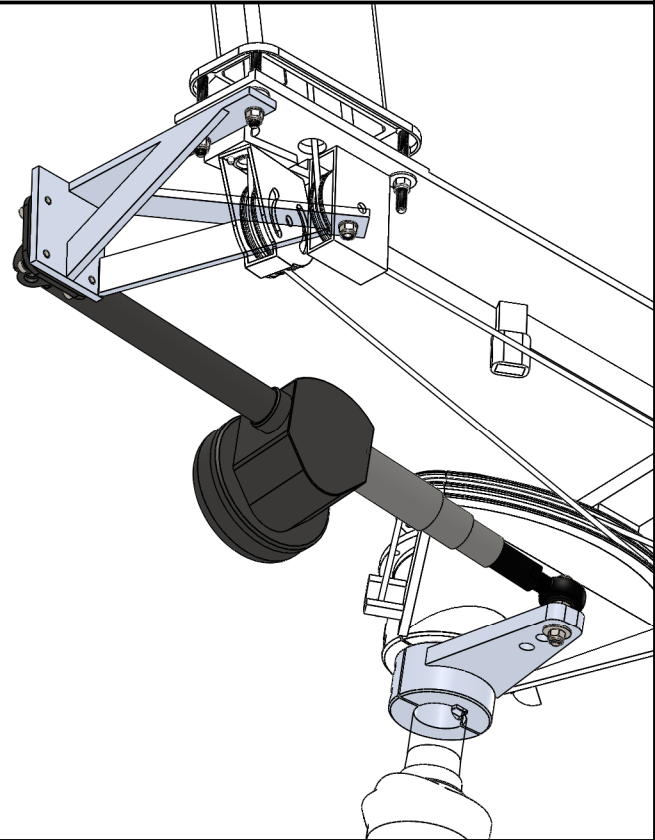
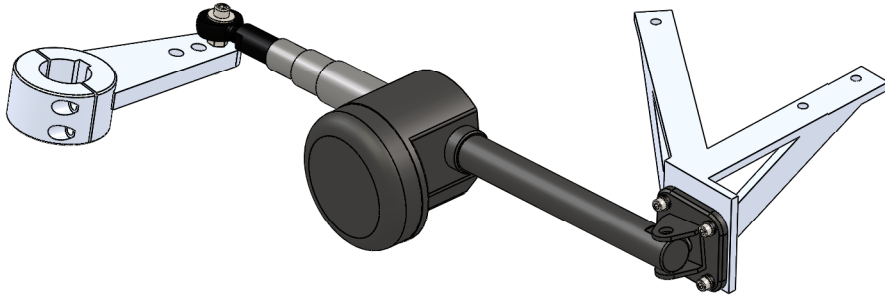


# 12v Jefa drives for Bavaria yachts 2013

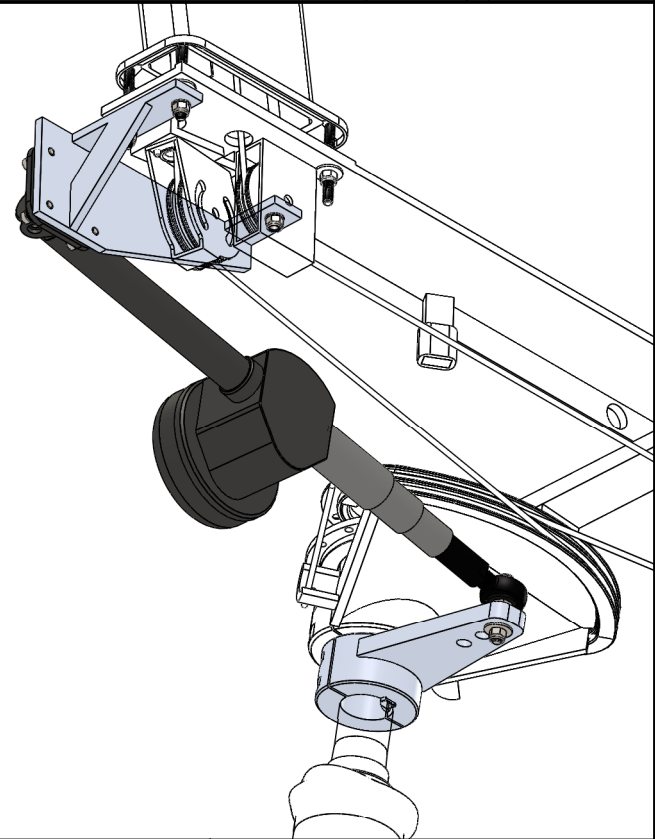
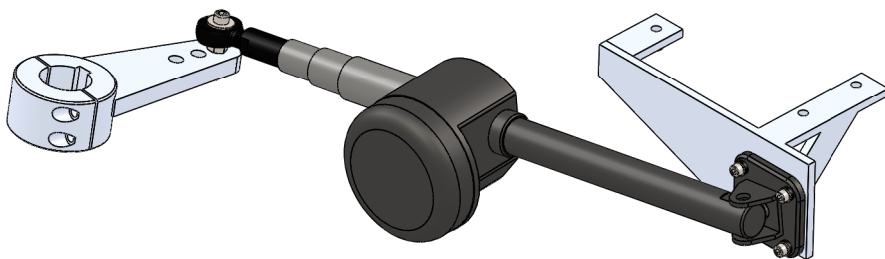
## Unit for Bavaria Cruiser 37

Bracket BA418888  
3pcs M10 lock nuts with washers  
DU-LD1-12 with DU-LD1-RFB and DU-CAB-G  
4pcs M8x30mm screws with washers  
TLJ075, 205mm c/c, bore  $\varnothing 56$ , 16x6mm keyway 8°



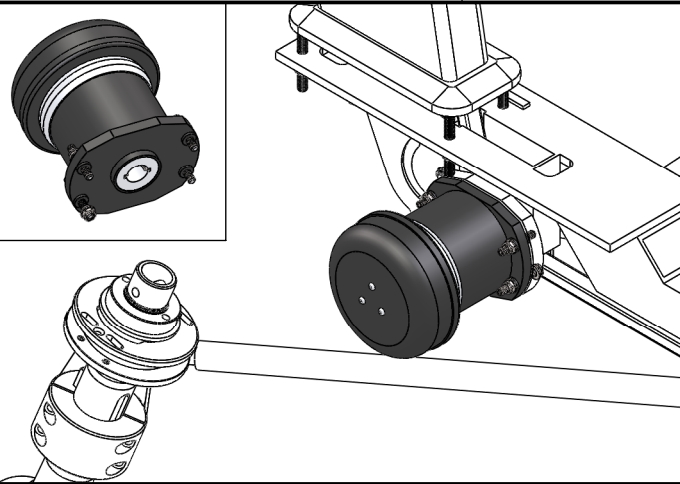
## Unit for Bavaria Cruiser 41

Bracket BA418889  
3pcs M10 lock nuts with washers  
DU-LD1-12 with DU-LD1-RFB and DU-CAB-G  
4pcs M8x30mm screws with washers  
TLJ075, 205mm c/c, bore  $\varnothing 56$ , 16x6mm keyway 8°



## Unit for Bavaria Cruiser 46 & 51 Vision 42 & 46

DU-TS8-12  
DU-TS-RFB  
DU-CAB-G  
2pcs keys  
3pcs M8x50mm studs  
1pcs M8x60mm stud  
5pcs M8 lock nuts  
5pcs M8 washers



Jefa steering ApS  
Agenavej 43  
2670 Greve  
Denmark  
Tlf: +45 4515 5210  
Fax: +45 4369 5211  
Email: [sales@jefa.com](mailto:sales@jefa.com)  
[www.jefa.com](http://www.jefa.com)