

# Etap 37s

First delivery: 2001-11

Add, sketch or pictures

Ref.drawing files:

Etap Yachting /NA010045  
Etap Yachting/Stopplate fixet

.

Standard item:

RP400-71S	1 stk.
SR300-8	1 stk.
ST10065	1 stk.
EC400	1 stk.
DL070080-30	1 stk.
TLJ075	1 stk.
TLJBORE	1 stk.
TLJPIN16	2 stk.
COM-CON101	1 stk.

Special features:

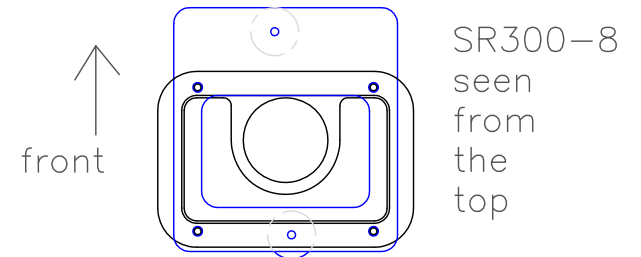
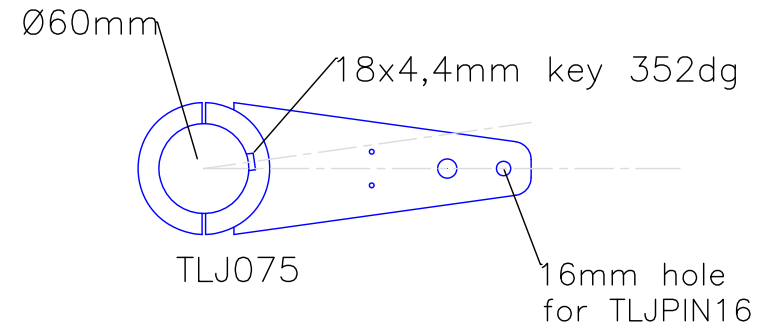
Special SR300  
ST10065 Afkortes til 75mm total lgd.  
EC starboard mount  
DL 2 pcs nuts extra  
TLJ075 upside down on Etab drawing  
ø60mm, 18mm key, 352dg  
TLJPIN16 extend 3mm

Extra sealing tube-baseplate  
TLJ drill hole from 12,7-16mm

Feedback boatbuilders:

Key 18 mm better tolerance  
Check mount SR300-8  
Check waterproof tube to baseplate  
by 02.11.2006 all EC starboard mount  
Pedetal type Changed

TLJ and QU is always seen from welding side



Latest update: 05.08.08 / jr



Nimbusvej 2 2670 Greve, Denmark [www.jefa.com](http://www.jefa.com)  
Phone: +45-4615 5210 Fax: +45-4615 5208