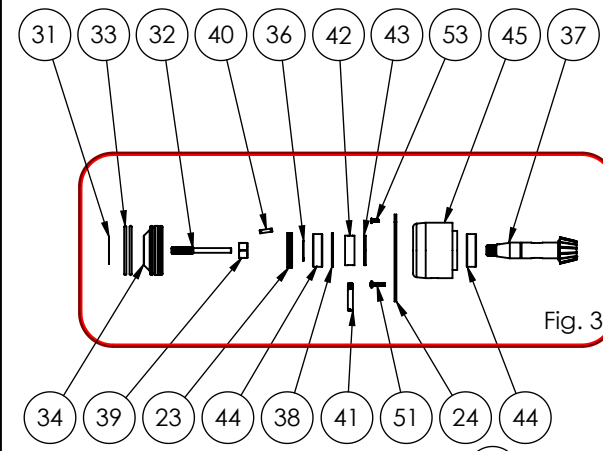
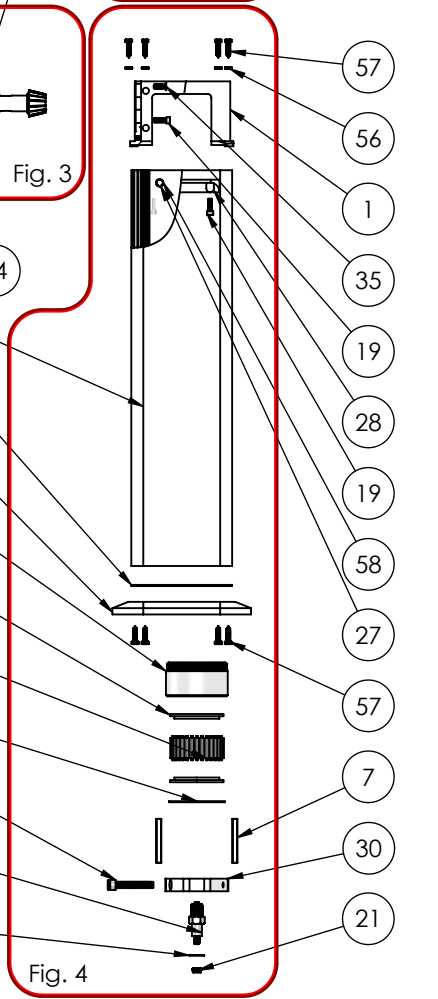
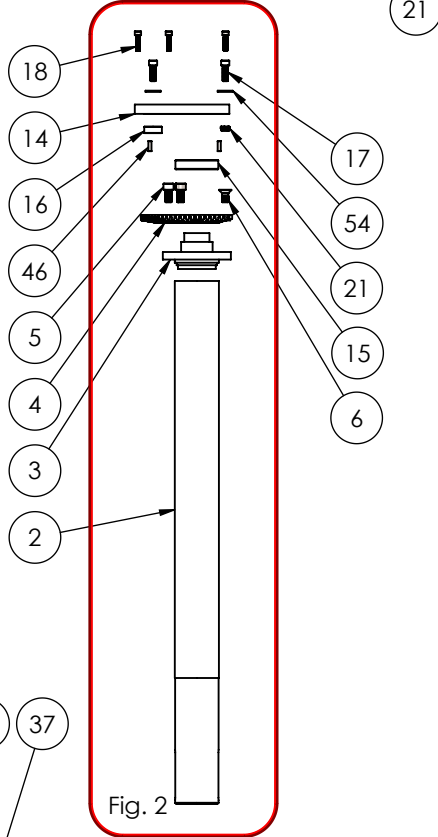
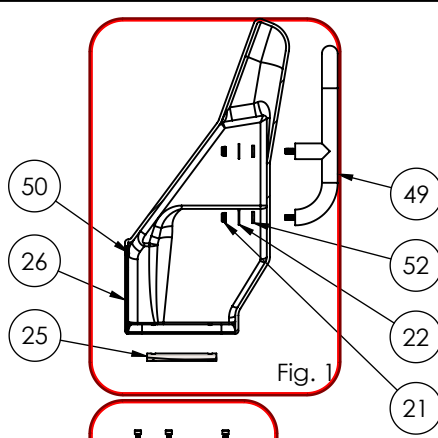


RP400-71S
 This is the complete list of parts for Jefas 400 pedestal. On the following pages you will find detailed information of all configurations for this pedestal.



Contents

1. RP400-71S part list
2. Pedestal heads (fig. 1)
3. Pedestal height (fig. 2, 4)
4. Input socket (fig. 3)
5. Accessories
6. Accessory part lists

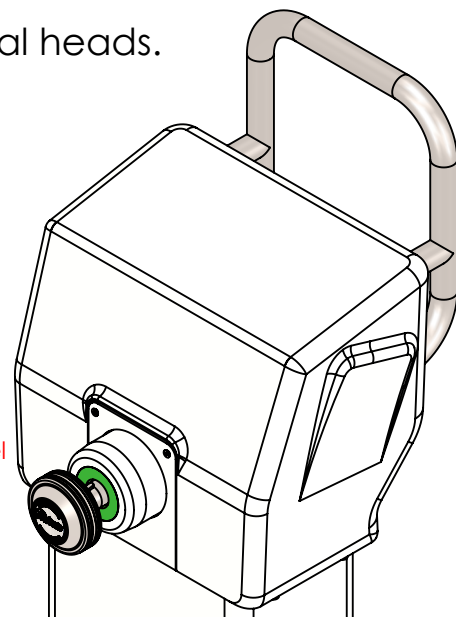
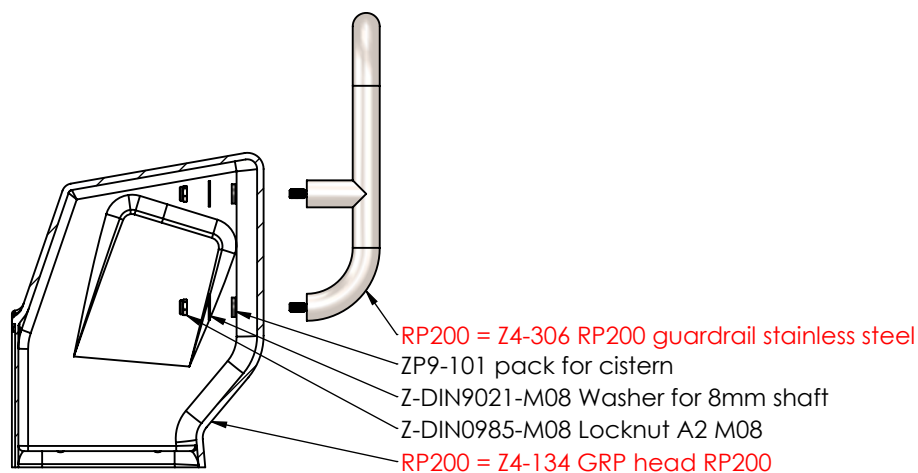
ITEM NO.	RP400-71S part list	QTY.
1	Z4-110 RP200-300-400 topunit	1
2	Z4-211 RP71 Downtube ø70x84	1
3	Z4-205 RP300 top for tube	1
4	Z4-195 Gear M2.5 Z70	1
5	Z-DIN0912-M10x20 Hexagon socket head screw CH A2 M10x20	3
6	Z-DIN7991-M10x20 Socket countersunk UH A2 M10x20	1
7	Z-FED08x08x70	2
8	Z-DIN0912-M06x12 Hexagon socket head screw CH A2 M6x12	1
9	Z-DIN0985-M06 Locknut A2 M06	1
10	Z4-230 Bearinghouse RP	1
11	Z4-246 L-ring	2
12	Z4-248 Lockring ø88.5xø71	1
13	Z4-250 Rulle ø8 L=32mm	30
14	Z4-125 Bricket 40mm bearing	1
15	ZBB-6008 ballbearing 2RS 40x68x15mm	1
16	Z4-213 RP 300 contra brick 175mm sprocket	1
17	Z-DIN0912-M08x25 Hexagon socket head screw CH A2 M8x25	2
18	Z-DIN0912-M06x25 Hexagon socket head screw CH A2 M6x25	8
19	Z-DIN0912-M06x20 Hexagon socket head screw CH A2 M6x20	6
20	Z-DIN0912-M10x60 Hexagon socket head screw CH A2 M10x60	2
21	Z-DIN0985-M08 Locknut A2 M08	6
22	Z-DIN9021-M08 Washer for 8mm shaft	5
23	ZP1-255508 Purlip seal ø25 x ø55	1
24	Z4-141 RP Coverplate wide	1
25	Z4-137 Braketplates for GRP head	2
26	Z4-136 GRP head RP400	1
27	Z-DIN0933-M06x12 A4 Steel hex screw M6x12mm	4
28	Z4-130 Bracket plate for tube RP200-300-400	2
29	Z4-225 Pin for output lever M18x1.5 ø16	1
30	Z4-215 Output lever	1
31	ZB0405 Jefa label round ø44mm clear with blue logo	1
32	Z4-386S Spinnershaft short	1
33	ZP3-102 O-ring 58,74x3,35	2
34	Z4-375 Spinner brake hub	1
35	Z-DIN7991-M06x20 Socket countersunk UH A2 M6x20	2
36	Z-DIN0471-A25 Lockring outside A25 DIN471	1
37	Z4-190 RP300 input pinion 25mm 14T	1
38	Z-DIN0472-J52 Circlip inside J52 DIN472	1
39	Z3-083 nut 5-8UNF brass	1
40	Z-DIN6885-5x5x20	1
41	Z4-170 Brake pinion Ø8x44mm stainless	1
42	Z4-165 Brakering for input socket ø47	1
43	ZP6-160 Brakeplate 47x26x3mm	1
44	ZBB-6205 ballbearing 2RS 25x52x15mm	2
45	Z4-145 input socket	1
46	Z-DIN0007-05x16 Cylindrisk A2 stiff 05x16mm	4
47	Z4-100 Baseplate for RP200-300-400	1
48	Z4-105-71 RP200-300-400 pedestal tube	1
49	Z4-305 RP300 guardrail stainless steel	1
50	Z-WS9320-M04 Weld on nut A2 M04	2
51	Z-DIN7985-M05x20 Pan head cross recess screw M05x20	1
52	ZP9-101 pack for cistern	4
53	Z-DIN7991-M04x12 Socket countersunk UH A2 M4x12	2
54	Z-DIN9021-M08 Washer for 8mm shaft	2
55	Z4-300 SkumlisteSBV25 sort RP200	1
56	Z-DIN6798-M06 Serrated lock washer A2 M06	8
57	Z-DIN7976-6,3x25 Hexagon head self tapping screw	16
58	Z-DIN0125-06 Washer A A2 Ø6,4mm	4

Pedestal heads

The difference between Jefas 200 - 300 - 400 pedestals are the pedestal heads. Below is the variation between parts on these three different pedestals.

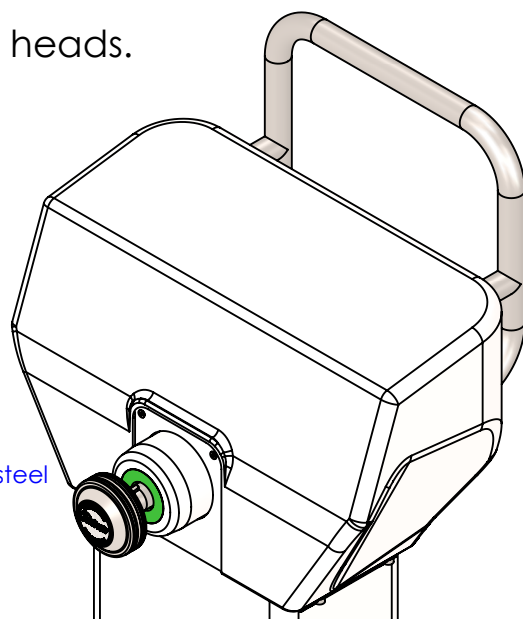
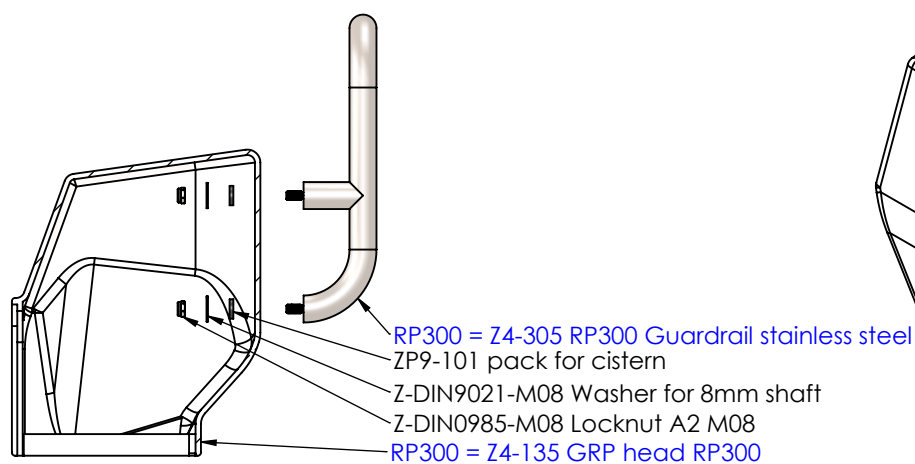
RP200

This is a narrow pedestal head with a narrow guardrail. The RP200 guardrail does not fit RP300 and RP400 pedestal heads.



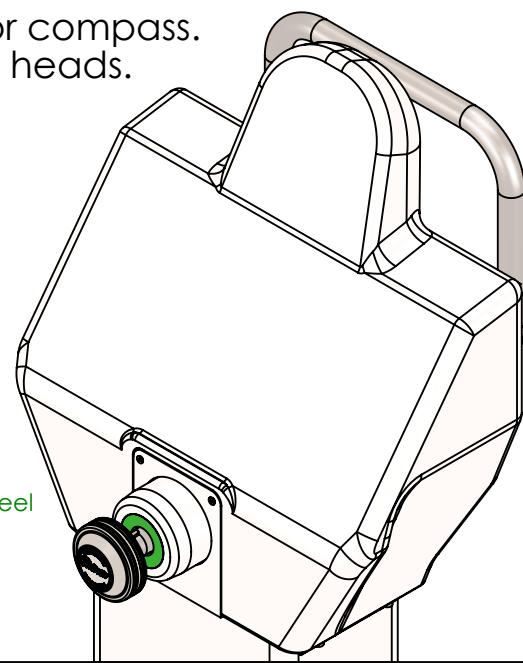
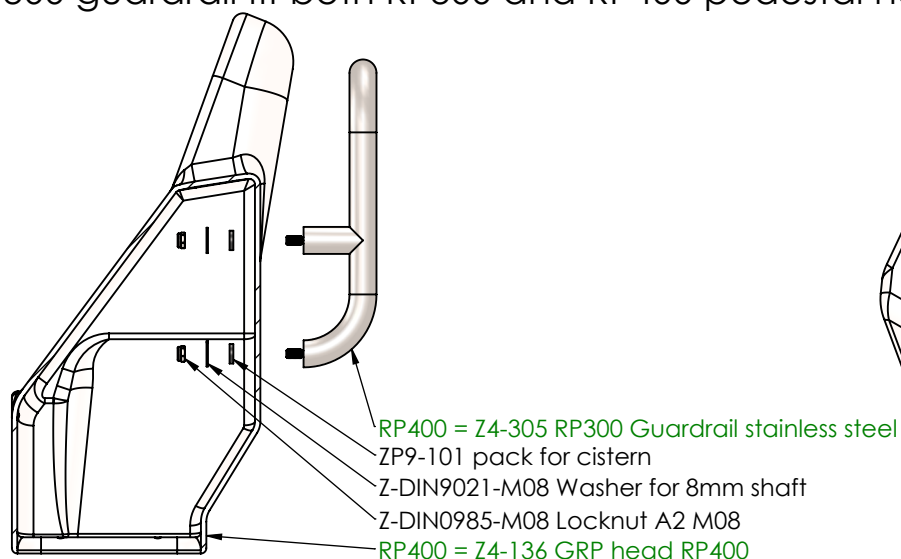
RP300

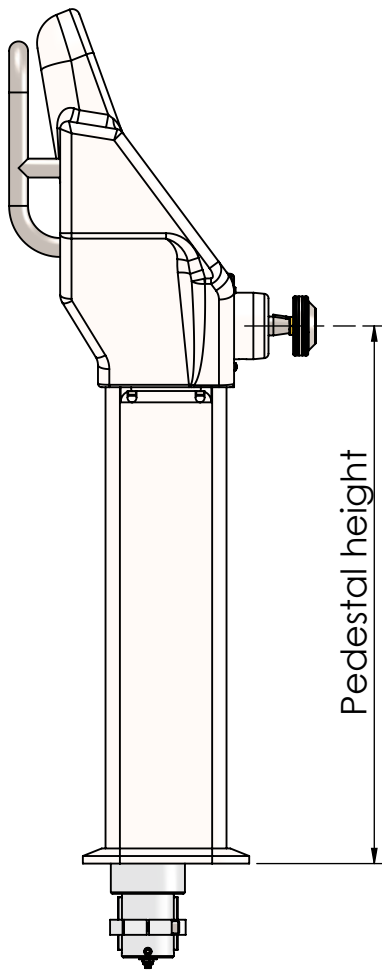
This is a broad pedestal head with a broad guardrail. The RP300 guardrail fit both RP300 and RP400 pedestal heads.



RP400

This is a broad pedestal head with a vertical surface for compass. The RP300 guardrail fit both RP300 and RP400 pedestal heads.





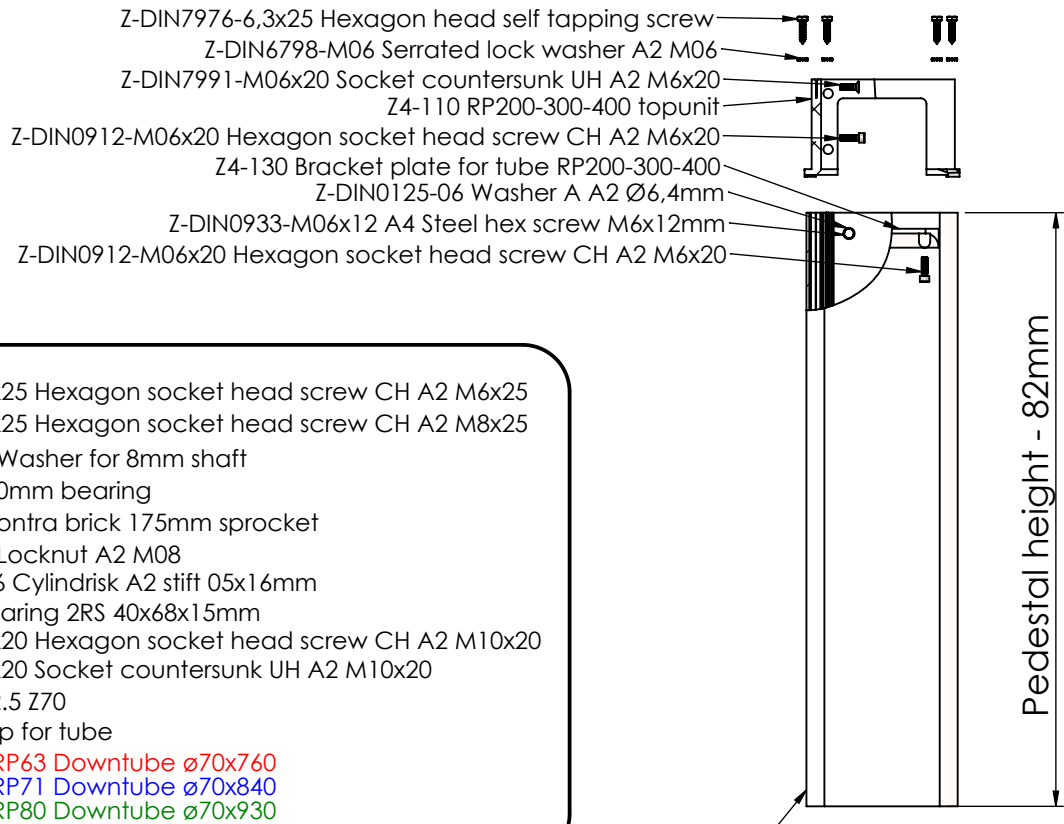
Pedestal height

Pedestal height

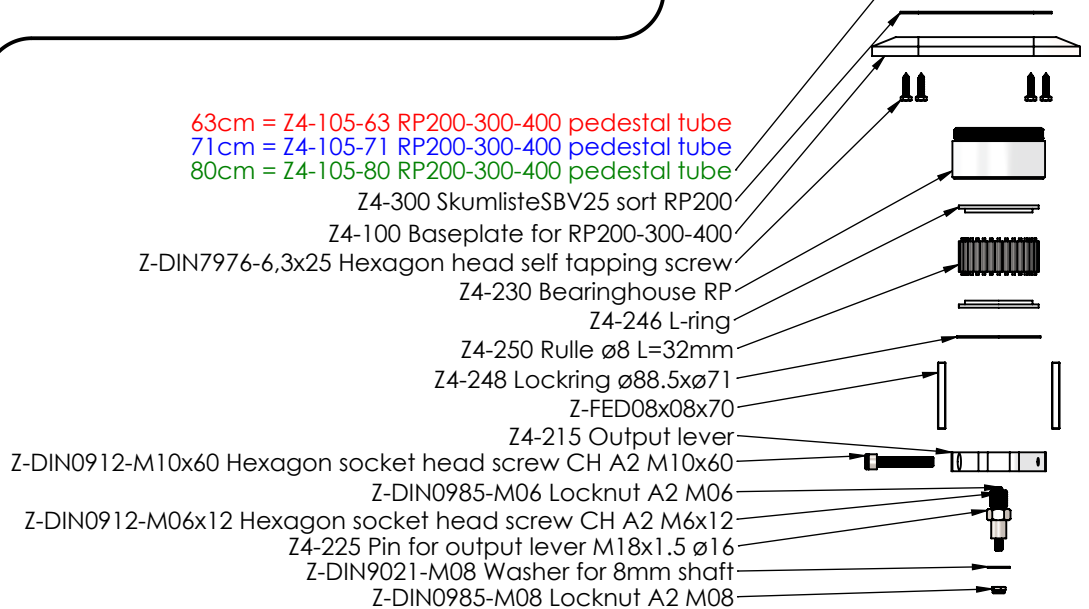
The height of the pedestal is measured from the cockpit floor mounting surface to the center of the input socket where you mount the steering wheel.

The pedestal height is determined by two parts, the down tube and the pedestal tube. At Jefa we produce the pedestals with three different standard sizes, **63cm**, **71cm** and **80cm**.

Custom height is possible with the customer needs, and the custom height should be specified when ordering the pedestal or specific parts which are needed.

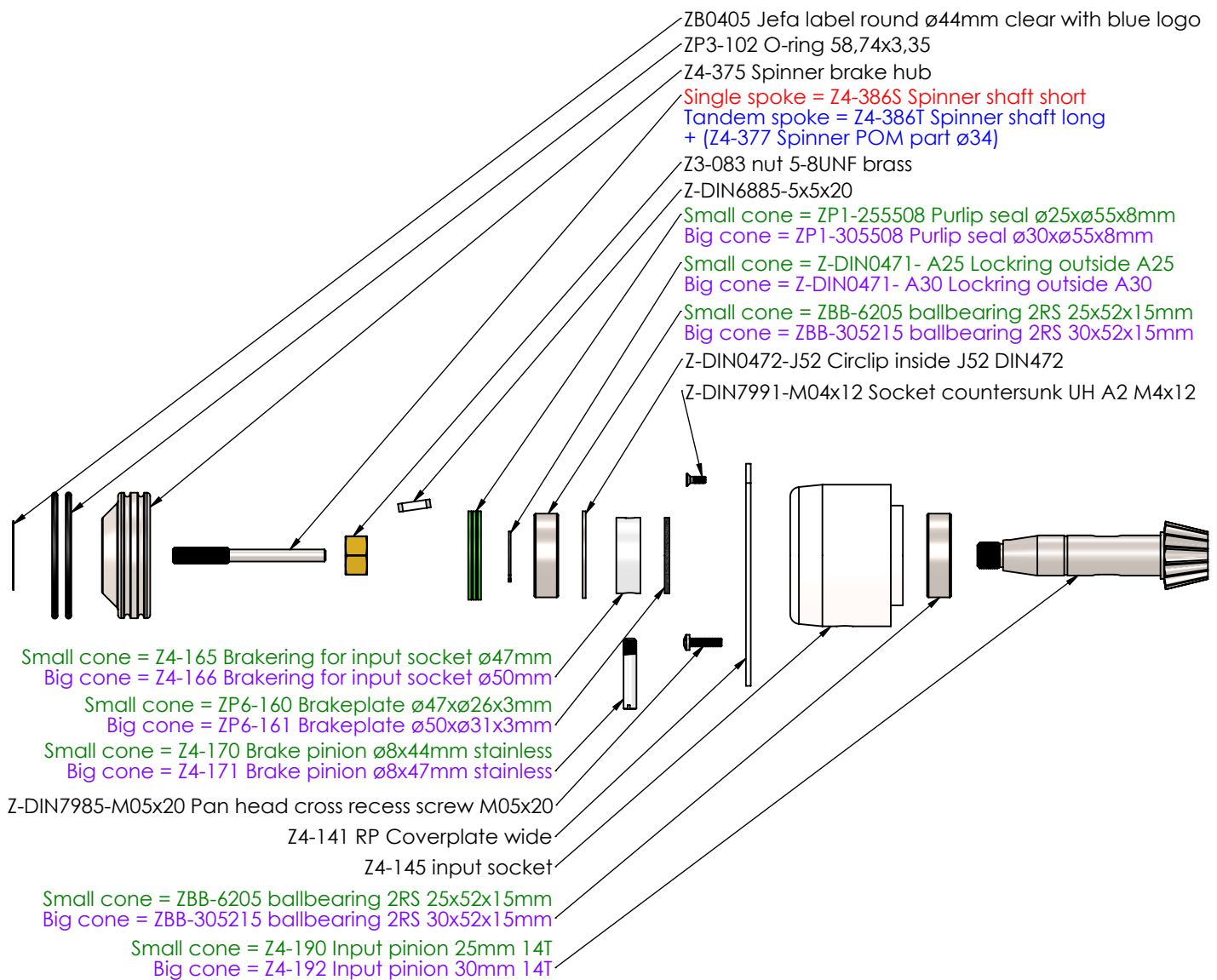


Pedestal height + 118



Input socket

The input socket has a standard mounting for all Jefa RP pedestals, but different variations in the input socket is necessary for Jefas different kinds of steering wheels. **Single spoke** steering wheels has a short hub and a short spinner shaft is necessary to use the wheel brake in the input socket. **Tandem spoke** steering wheels has a longer hub, and in this case a long spinner shaft is needed. "Small" steering wheels including up to 1500mm wheels are mounted on a 25mm shaft and one Z-DIN6885-5x5x20mm key on a **small cone**. All wheels larger than 1500mm are mounted on a 30mm shaft and 2pcs Z-DIN6885-5x5x20mm keys on a **big cone**.

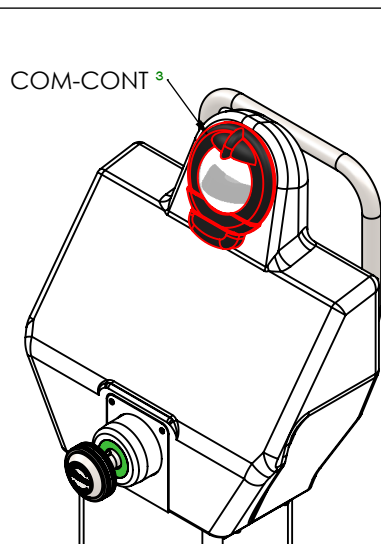
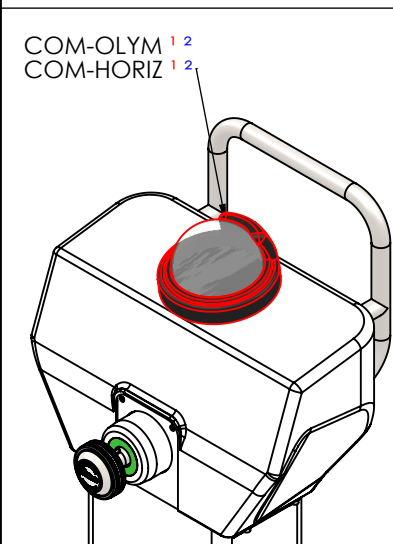


Accessories

For Jefa 200, 300 and 400 pedestals we deliver additional accessories such as compasses, cockpit table and engine control. In the following page you will find the accessories which can be delivered by Jefa and fits your 200¹, 300² or 400³ pedestal.

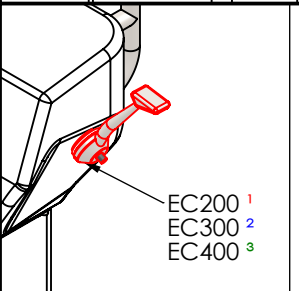
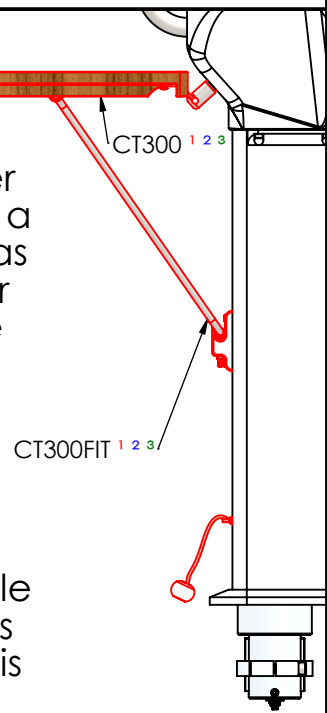
Compasses

Jefa has three different compasses, Plastimo Olympic 135 and Plastimo Horizon 135, which both can be mounted on the horizontal top surface on RP200 and RP300. Plastimo Contest 101 can be mounted on the vertical surface on RP400.



Cockpit table

For the 200, 300 and 400 pedestal, Jefa can deliver a teak cockpit table with a good functionality, such as folding the table together and closing it down to be parallel with the pedestal tube. It is easy and fast to pick the table of the pedestal. The table surface at normal use is 650x700mm. When purchasing a cockpit table you will receive the fittings to mount the table. But it is possible to order the fittings without table if you have a table you wish to mount on your pedestal.

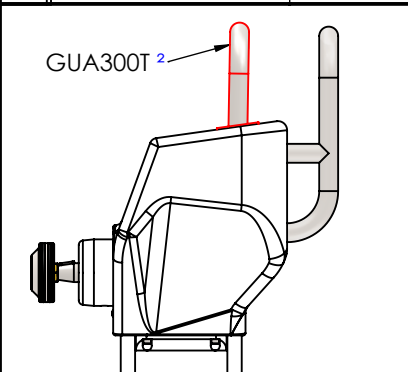
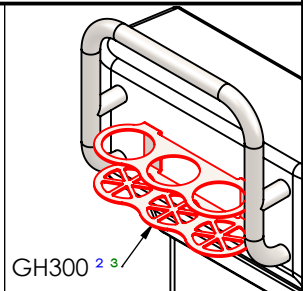


Engine control

Teleflex TFX engine control mechanism with polished stainless steel handle. The complete mechanism is mounted inside the pedestal.

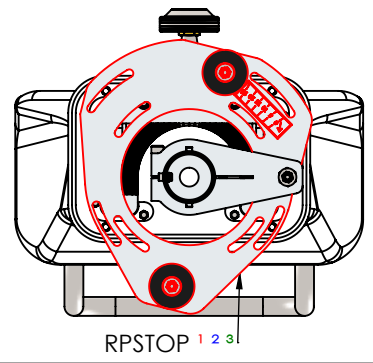
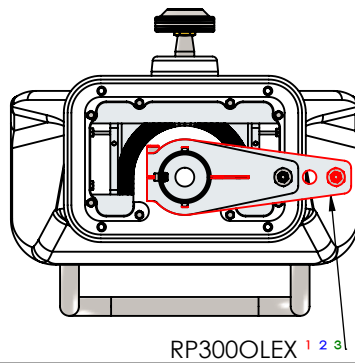
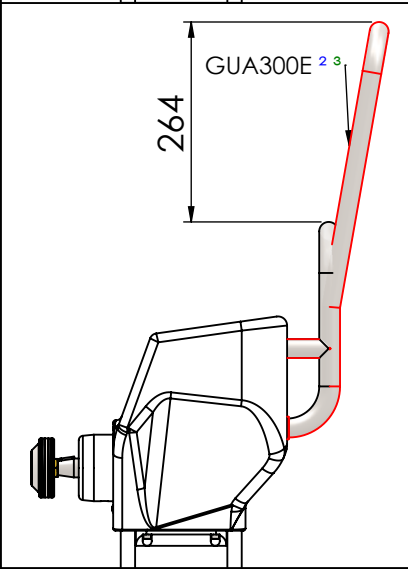
Glass holder

Jefas glass holder fits between the tubes of the guardrail on type 300 and 400 pedestal which protects lines getting stuck on the glass holder.



Guardrails

For Jefas 300 pedestal, the customer has different opportunities to choose a fitting guardrail. The top mounted GUA300T takes less space than the standard guardrail. The extended GUA300E fits the 400 pedestal too, and has the possibility to install an instrument pod, or radar pod if needed.

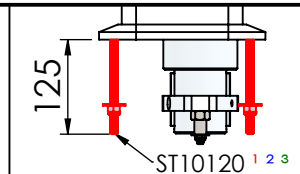
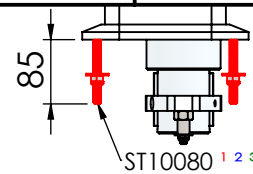
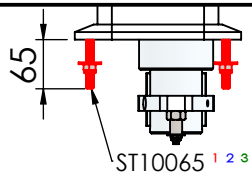


Output arm

Extended output lever is used for attaching drive unit or special rudder geometry.

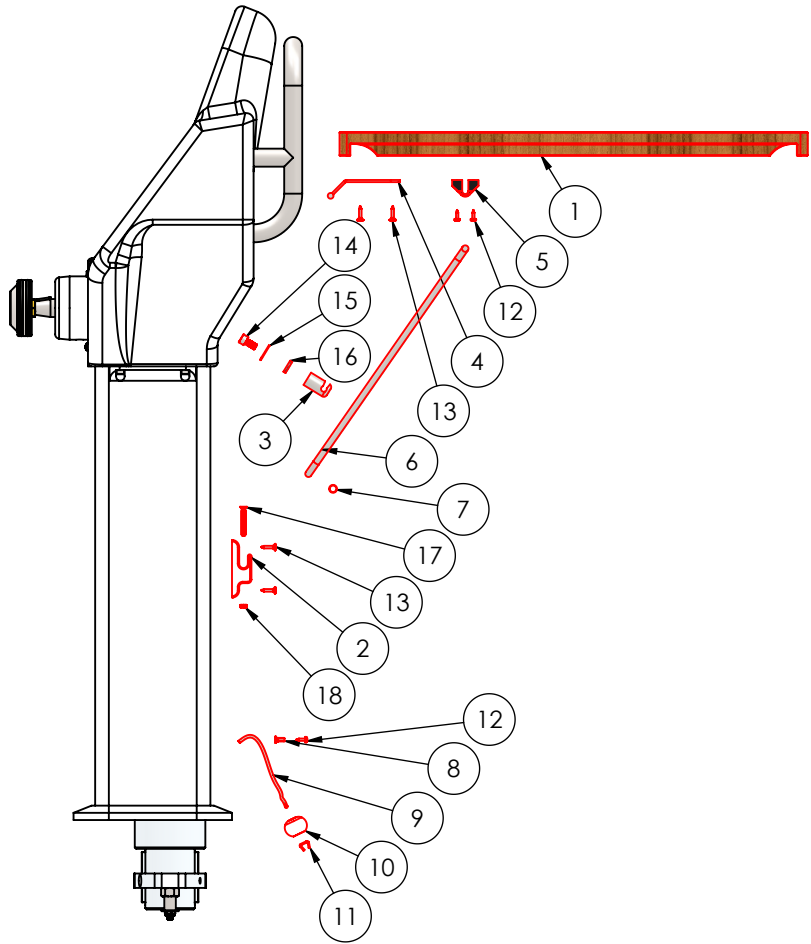
Stop ring

Our stop ring fit the mounting screws under the pedestal. It can be adjusted up to 25°.



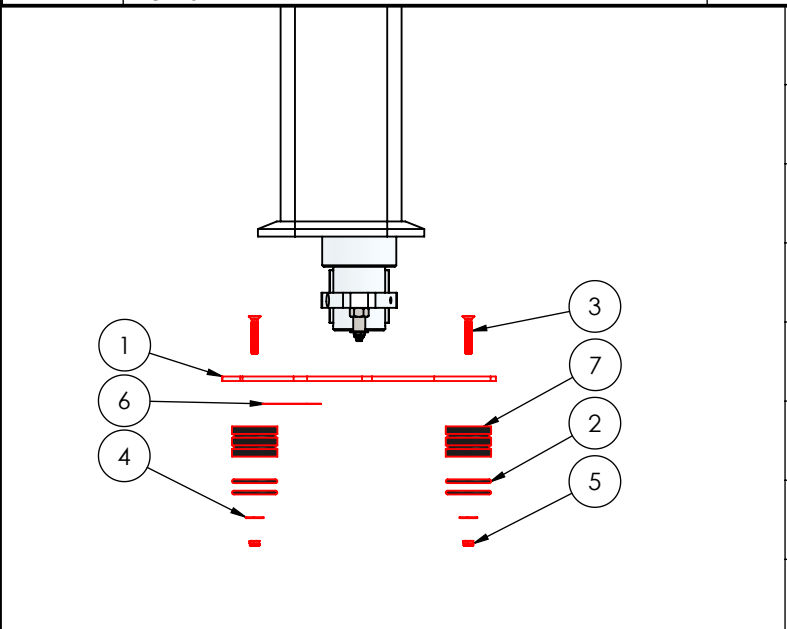
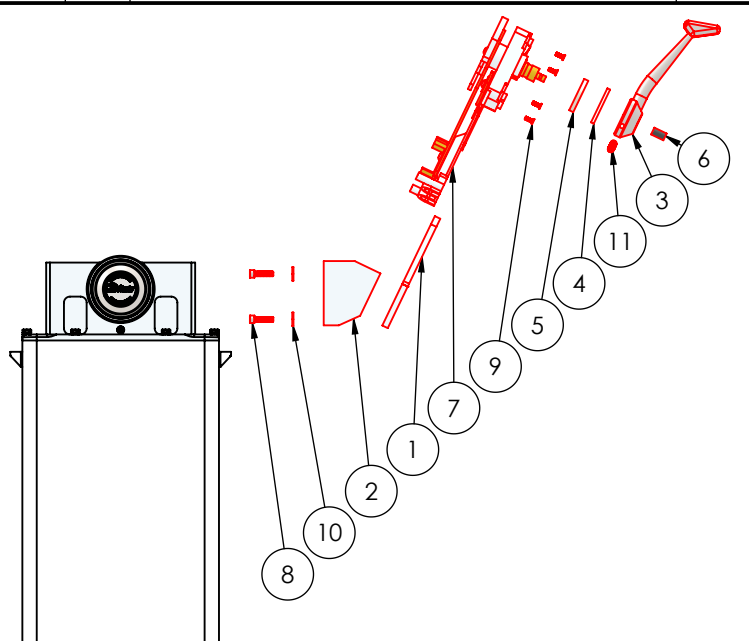
Mounting studs

M10 studs are available for all our pedestals in the specific length which fit the deck thickness of the yacht.



ITEM NO.	CT300 ^{1 2 3} part list	QTY.
1	Z2-100 Cockpittable	1
2	Z2-075 Cockpittable stop RP100-300	1
3	Z2-085 Cockpittable Hook RP100	2
4	Z2-092 300 Hinge for Cockpittable	1
5	Z2-109 Bearing for U-bend, cockpittable	2
6	Z2-105 U-bend for cockpittable	1
7	Z2-106 Nylontytle	0.03m
8	Z2-115 S.S. Eye strap	1
9	Z2-120 Rubberband	0.2m
10	Z2-125 Plastic ball for rubberband	1
11	Z2-130 Clamp ring for shock cord	1
12	Z-DIN7981H-4.2x13 Plate screw PH 4.2x13mm	6
13	Z-DIN7983H-4.8x19 Platescrew LH 4,8x19mm	6
14	Z-DIN0912-M08x16 Hexagon socket head screw CH A2 M8x16	2
15	Z-DIN9021-M08 Washer for 8mm shaft	2
16	ZP9-101 pack for cistern	2
17	Z-DIN7991-M05x40 Socket countersunk UH A2 M5x40	1
18	Z-DIN0934-M05 Hexagon nut A2 M5	1

ITEM NO.	EC400 ³ part list	QTY.
1	Z4-344 EC200-300 bracket	1
2	Z4-346 EC300 bracket	1
3	Z4-355 Handle for TX700	1
4	Z4-356 Support washer delrin	1
5	Z4-357 Foam packing for handle Ø46mm	1
6	Z4-358 Bottom for Engine control	1
7	Z4-360 EC TFX B700 mechanism	1
8	Z-DIN0912-M06x25 Hexagon socket head screw CH A2 M6x25	2
9	Z-DIN7991-M04x12 Socket countersunk UH A2 M4x12	4
10	Z-DIN9021-M06 Washer for 6mm shaft	2
11	Z-DIN0916-M08x16 Socket set screw cup point M8x16	2



ITEM NO.	RPSTOP ^{1 2 3} part list	QTY.
1	Z4-650 RP Storing	1
2	ZP3-106 O-ring 50x5mm EPDM	4
3	Z-DIN7991-M08x50 Socket countersunk UH A2 M8x50	2
4	Z-DIN9021-M08 Washer for 8mm shaft	2
5	Z-DIN0985-M08 Locknut A2 M08	2
6	Z4-650 stick Sticker for stopplate	1
7	Z4-651 Storing delrin stop	2